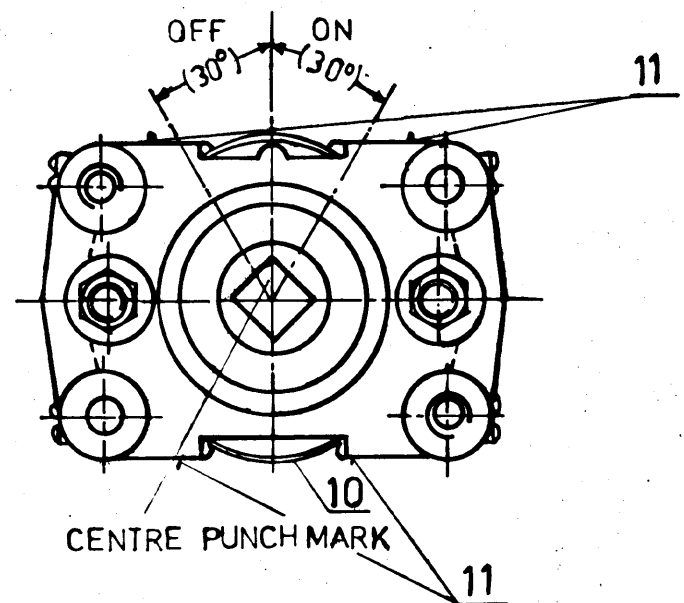
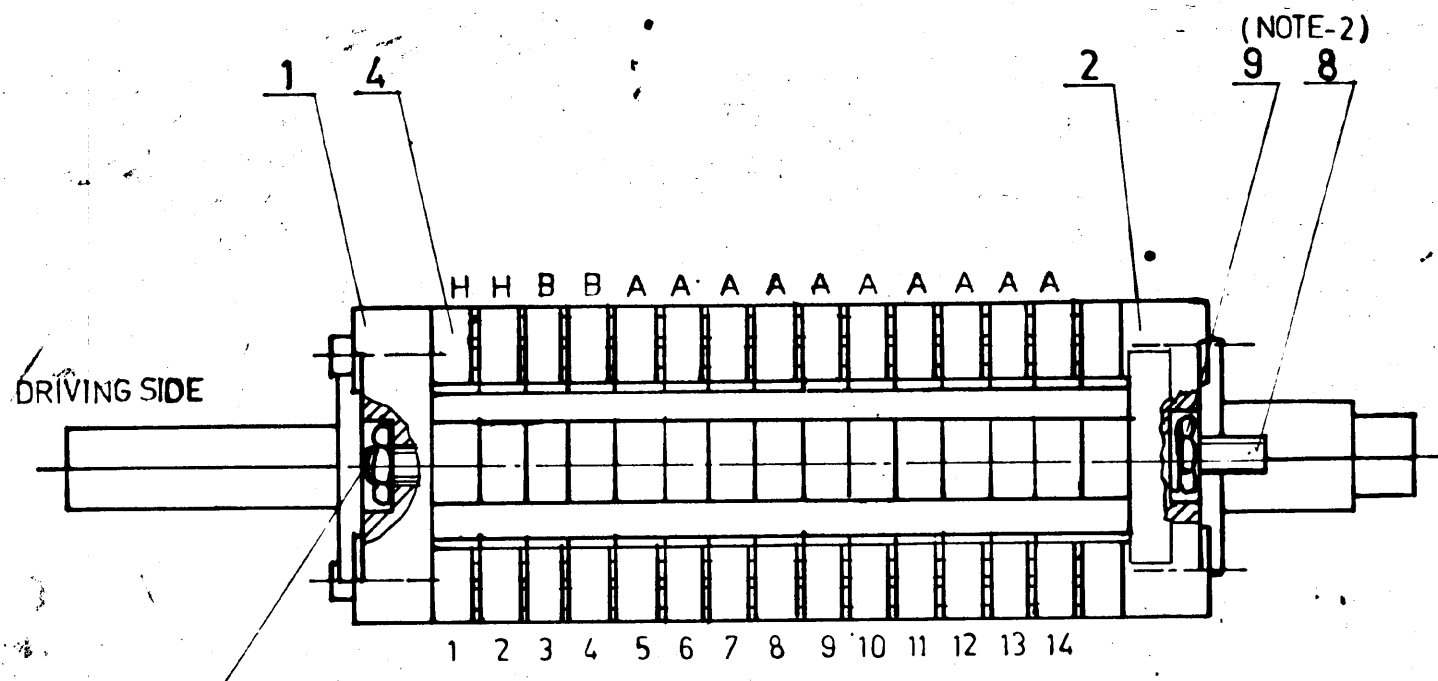


DRG NO. 2 518 80 06 230

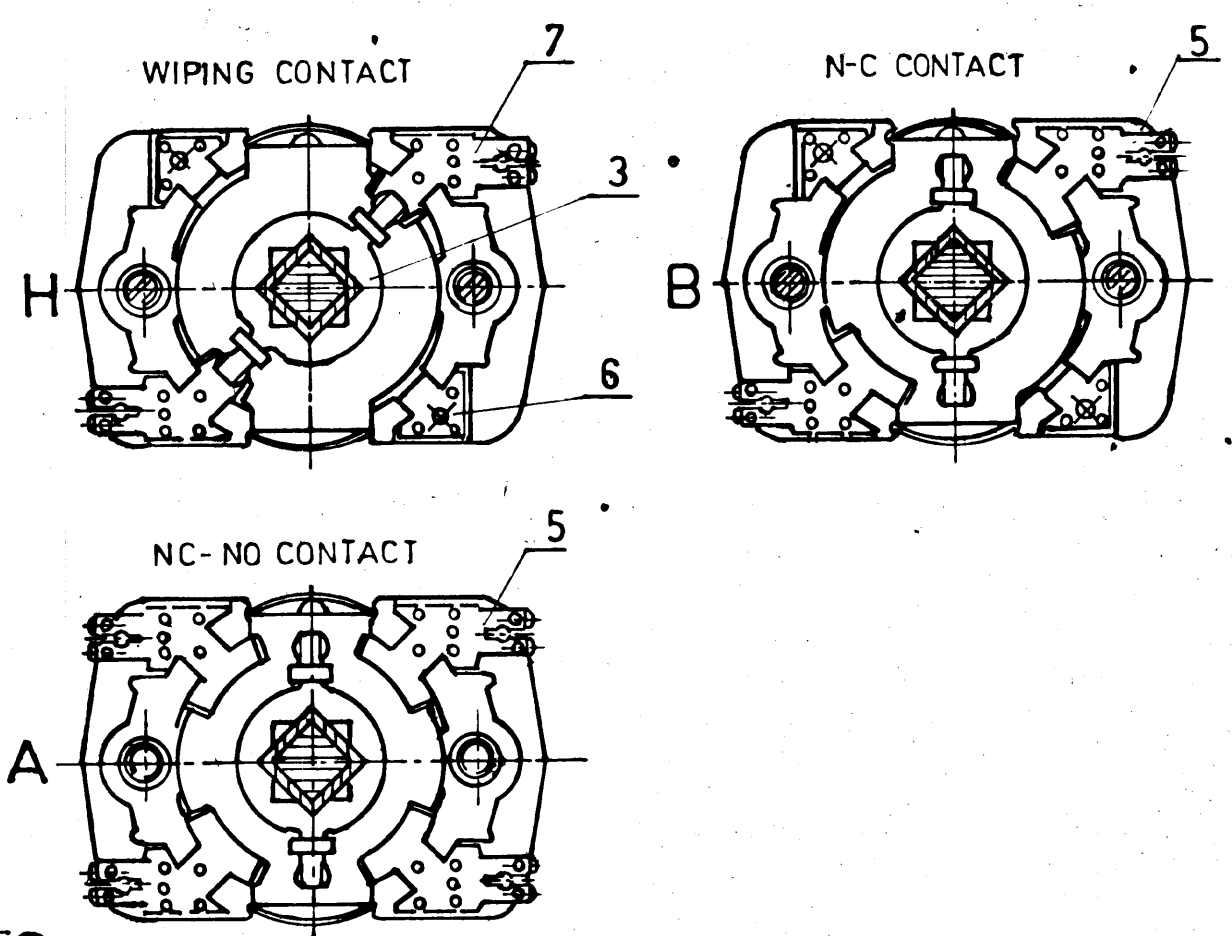


⊛ HARD CLEAR TRANSPARENT PLASTIC SHEET (FOR PROTECTION OF CONTACTS FROM DUST)

(NOTE-2)
NUT TO BE LOCKED BY UP-SETTING / RIVETTING
THE MATERIAL OF ITEM 8

	OFF	ON
A	($\approx 73^\circ$) $17^\circ \pm 3^\circ$	$17^\circ \pm 3^\circ$ ($\approx 73^\circ$)
B	($\approx 73^\circ$) $17^\circ \pm 3^\circ$	
H	$20^\circ \pm 3^\circ$	$20^\circ \pm 3^\circ$

— CONTACT CLOSED
— CONTACT OPENED



TOLERANCES TO HY0230261

QTY	ITEM NO.	DESCRIPTION	DRAWING NO.	MATL. CODE	UNIT	UNIT WT.	ZONE
04	11	STICKERS WITH NOS					
02	10	HARD PLASTIC FOIL	SG 90087 002				
04	09	HEX-HD.NUT	2126 2032-114				
02	08	STUD	SG 90014 002				
04	07	CONTACT PIECE	3 51880 01 434				
08	06	SUPPORT SPACER	4 51880 06 241				
44	05	CONTACT PIECE	3 51880 06 240				
15	04	CONTACT HOLDER	3 51880 06 239				
14	03	CONTACT PIECE	4 51880 06 237				
01	02	END THRUST PIECE	4 51880 06 233A				
01	01	HOLDER	3 51880 06 242 A				

NOTES:-

- RATING OF AUXILIARY SWITCH 220VDC, BREAKING CAPACITY 2ADC, MAKING CAPACITY 10ADC ALL ROUTINE & TYPE TESTS ARE AS PER IS-6875 MECHANICAL ENDURANCE TEST 5000 OPERATIONS (MIN) ELECTRICAL ENDURANCE TEST 1000 OPERATIONS (MIN) AT 2ADC WITH TIME CONSTANT OF 20 MILLISECONDS (MIN)
- LOCKED WITH LOCTITE OR THREAD LOCK AFTER TIGHTENING WITH 3Nm TORQUE
- ENSURE TIGHTNESS OF STACK ASSEMBLY SUCH THAT TERMINALS ARE NOT LOOSE AND MOVING CONTACTS ENGAGES PROPERLY WITH CORRESPONDING FIXED CONTACTS IN BOTH DIRECTIONS, AND TURNING MOVEMENT SHALL BE SMOOTH

SIGN AND DATE: 13NZ 33101600 0176 INVENTOR: 1280

ADDITIONAL INFORMATION		TYPE OF PRODUCT OR CUSTOMER/PROJECT	
STATUS OF DRAWING		SF6 3AS/AT	
DISTRIBUTION OF PRINTS		BHARAT HEAVY ELECTRICALS LTD. HYDERABAD	
REV	DATE	ALTD:	DATE
02	06-12-89	APPD: M.S.	21-1-89
ITEM NO 10 DRG NO DELETED		NOTES ADDED	
DEPT	SGE	GRADE OF	SCALE
CODE	435	UNLTD. DIM	NTS
TITLE		WEIGHT (KG)	
AUXILIARY SWITCH ASSY		1518 8006 200	
DRAWING NO.		ITEM	
2 518 80 06 230		75 77	
SHEET NO.		NO. OF SHEETS	
1		38	