



BHARAT HEAVY ELECTRICALS LIMITED
INDUSTRIAL VALVES PLANT
433, INDUSTRIAL COMPLEX
GOINDWAL SAHIB
DISTT. TARN TARAN- PUNJAB – 143422

No.BHEL:IVP:
SC:VLV:AD
2021-22/01
Dated
25.05.2021

NOTICE INVITING APPLICATIONS FOR REGISTRATION OF SUB CONTRACTORS

BHARAT HEAVY ELECTRICALS LIMITED [BHEL] is manufacturing Industrial Valves and other Boiler accessories at its Industrial Valves Plant, Goindwal Sahib unit. For the year FY2021-22 we have to manufacture 750 MT. Vendors are required for Job work as per the enclosed list of items. The approx. value of annual procurement shall be Rs 25 lac.

Expression of interest and applications for registration are invited from sub-contractors (BHEL encourages procurement from Micro and Small Enterprises (MSEs), MSEs are requested to apply for registration) for doing the machining job of various components of Conventional Valves. Various work centers involved in the machining jobs shall be VTL, Horizontal Boring, Turning centre, Milling, Conventional Lathe, Drill machine etc.

HM/LM Valves

Casting Machining of Body, Yoke, Bonnet, Disc, other machining components for valves. List of components, where machining vendors are required, is attached herewith as Annexure-I. Sample drawings of some components are also attached. (S.No of list – 110 and 138)

BHEL is looking for prospective Sub Contractors for above job work.

BHEL shall evaluate the vendors as per its established vendor selection, evaluation and registration procedure. Supplier Registration can be done online <https://supplier.bhel.in/>

BHEL invites such vendors to visit its above located plant on any working day from Monday to Saturday between 0900 Hrs to 1730 Hrs and contact undersigned for any clarification regarding:

Items details and requirement		Vendor registration form/procedure
Vineet Kumar Manager (Sub Contracting)	Manoj Kumar Dy.Manager (Sub Contracting)	Sahil Malhotra Dy. Manager (Sub-Contracting)
Phone: 01859-224625	01859-224643	01859-224669
Mobile: 99150 47504	8427033225	98142 09180
E-mail: vineet.k@bhel.in	mk@bhel.in	sahil@bhel.in

BHARAT HEAVY ELECTRICALS LIMITED INDUSTRIAL VALVES
PLANT, 433, INDUSTRIAL COMPLEX, GOINDWAL SAHIB,
DISTT. TARN TARAN, PUNJAB – 143 422

Valves - List of Components

Annexure - I

S.No	Gr. No	Job/Component Description	Description of Valve/ Product (Used in)
1	G58	Body Machining	2-C150-GV-BW-WCB/WCC/WC6/WC9
2	G55	Body Machining	2-C150-GV-BW-CF8/CF8M
3	G60	Body Machining	2-C150-GV-FL-WCB/WCC
4	G56	Body Machining	2-C150-GV-FL-CF8/CF8M
5	G49	Body Machining Final	2-1/2-C300-GV- BW- WCB/WCC
6	G50	Body Rough	2-1/2-C300-GV- BW-WCB/WCC
7	G70	Body Machining	2-C300-GV-BW-WCB/WCC/WC6/WC9
8	G47	Body Machining	2-1/2-C300-GV-BW-CF8M/CF8
9	G66	Body Machining	2-C300-GV-BW-CF8/CF8M
10	G71	Body Machining	2-C300-GV-FL-WCB/WCC/WC6/WC9
11	G67	Body Machining	2-C300-GV-FL-CF8M/CF8
12	G2256	Body Machining	2-C600-GV-BW-CF8M
13	G83	Body Machining	2-C600-GV-FL-WCB/WCC/WC6/WC9
14	G80	Body Machining	2-C600-GV-FL-CF8M/CF8
15	G75	Body Machining	2-C300-RV-BW-WCB/WCC/WC6/WC9
16	G53	Body Machining	2-C150-FV-BW-WCB/WCC
17	G51	Body Machining	2-C150-FV-BW-CF8M/CF8
18	G54	Body Machining	2-C150-FV-FL-WCB/WCC
19	G52	Body Machining	2-C150-FV-FL-CF8M/CF8
20	G45	Body Machining	2-1/2-C300-FV-BW-WCB/WCC (Rough)
21	G64	Body Machining	2-C300-FV-BW-WCB/WCC
22	G63	Body Machining	2-C300-FV-FL-WCB/WCC/WC6/WC9
23	G62	Body Machining	2-C300-FV-FL-CF8/CF8M
24	G89	Body Machining	3-C150-GV-BW-CF8/CF8M
25	G90	Body Machining	3-C150-GV-FL-CF8/CF8M
26	G110	Body Machining	3-C300-GV-BW-WCB/WCC/WC6/WC9
27	G104	Body Machining	3-C300-GV-BW-CF8M/CF8
28	G111	Body Machining	3-C300-GV-FL-WCB/WCC/WC6/WC9
29	G105	Body Machining	3-C300-GV-FL-CF8M/CF8
30	G118	Body Machining	3-C300-RV-FL-WCB/WCC
31	G114	Body Machining	3-C300-RV-FL-CF8M/CF8
32	G103	Body Machining	3-C300-FV-FL-WCB/WCC
33	G100	Body Machining	3-C300-FV-FL-CF8M/CF8
34	G147	Body Machining	4-C300-GV-FL-CF8/CF8M
35	G169	Body Machining	5-C300-GV-BW-WCB/WCC/WC6/WC9
36	G169a	Body edge preparation only	5-C300-GV-BW-WCB/WCC/WC6/WC9
37	G2584	Body Machining	5-C300-RV/SV-BW-WCB/WC9
38	G165	Body Machining	5-C150-FV-FL-WCB/WCC/WC6/WC9
39	G180b	Body Machining	6-C150-GV-BW-WCB/WCC NC
40	G2277	Body Machining	6-C150-GV-BW-HW-CF8M-ND
41	G181	Body Machining	6-C150-GV-FL-WCB/WCC/WC9
42	G182a	Body Machining	6-C150-GV-FL-HO-CF8M-NC
43	G176	Body Machining	6-C150-GV-FL-CF8C/CF8/CF8M

Valves - List of Components

Annexure - I

S.No	Gr. No	Job/Component Description	Description of Valve/ Product (Used in)
44	G182b	Body Machining	6-C150-GV-FL-HO-CD3MN
45	G197b	Body Machining	6-C300-GV-FL-WCB/WCC NC
46	G434	Body Machining	6-C300-RV-BW-WCB/WCC/WC6/WC9
47	G430	Body Machining	6-C300-RV-BW-CF8/CF8M
48	G431	Body Machining	6-C300-RV-FL-CF8M/CF8
49	G189	Body Machining	6-C300-FV-FL-WCB/WCC
50	G186	Body Machining	6-C300-FV-FL-CF8/CF8M
51	G1925	Body machining	6-C600-FV-BW-WC6/WCB/WCC
52	G2583	Body machining	6-C600-FV-FL-WCC
53	G449	Body Machining	8-C150-GV-FL-WCB/WCC NC
54	G210c	Body Machining	8-C300-GV-FL-WCB/WCC NC
55	G210a	Body Machining	8-C300-GV-FL-WCB/WCC/WC6/WC9
56	G203a	Body Machining	8-C300-GV-FL-CF8M/CF8
57	G442	Body Machining	8-C150-FV-BW-WCB/WCC
58	G440	Body Machining	8-C150-FV-BW-CF8/CF8M
59	G443	Body Machining	8-C150-FV-FL-WCB/WCC
60	G441	Body Machining	8-C150-FV-FL-CF8/CF8M
61	G453	Body Machining	8-C300-FV-BW-WCB/WCC/WC6/WC9
62	G450	Body Machining	8-C300-FV-BW-CF8M/CF8
63	G454	Body Machining	8-C300-FV-FL-WCB/WCC
64	G427	Body Machining	10-C150-GV-BW WCB/WCC /WC6/WC9
65	G429	Body Machining	10-C150-GV-FL WCB/WCC Body NC
66	G429a	Body Machining	10-C150-GV-FL CF8/CF8M Body NC
67	G2437	Body Machining	10-C300-GV-FL-WCB/WC9 NC
68	G2437a	Body Machining	10-C300-GV-FL-CF8 NC
69	G1876	Body Machining	10-C600-GV-FL-WCB/WC9
70	G5a	Body Machining	10-C300-FV BW CF8M /CF8
71	G18c	Body Machining	12-C150-GV-BW WCB/WCC/NC
72	G18d	Body Machining	12-C150-GV-BW CF8M-NC
73	G16a	Body Machining	12-C150-GV-FL WCB/WCC NC Body
74	G16b	Body Machining	12-C150-GV-FL CF8M NC Body
75	G26c	Body Machining	12-C300-GV-BW WCB/WCC/WC9 NC87
76	G25c	Body Machining	12-C300-GV-FL-WCB-NC
77	G25a	Body Machining	12-C300-GV-FL WCB/WCC
78	G1774	Body Machining	12" 600 GV FL WCB
79	G2257	Body Machining	12-C600-GV-FL-WCC/WCB/WC9
80	G32a	Body Machining	14-C300-GV-FL WCB/WCC/WC9
81	G2508	Body Machining	14-C150-FV-FL-WCB
82	G1962	Body Machining	14-C300-WCB-BW-FV/WC9
83	G2456	Body Machining	14-C300-FV-BW-CF8M
84	G35a	Body Machining	16-C150-GV-FL-WCB/WCC/WC6/WC9
85	G39a	Body Machining	16-C300-GV-FL-WCB/WCC
86	G2461	Body Machining	16-C150-FV-FL-WCB

Valves - List of Components

Annexure - I

S.No	Gr. No	Job/Component Description	Description of Valve/ Product (Used in)
87	G2461a	Body Machining	16-C150-FV-FL-CD3MN
88	G1998	Body Machining	16-C300-FV-BW-WCB
89	G42a	Body Machining	18-C150-GV-BW WCB/WCC
90	G41a	Body Machining	18-C150-GV-FL WCB/WCC
91	G2165	Body Machining	18-C300-GV-BW-GO-WCB/WC9
92	G2165a	Body Machining	18-C300-GV-BW-GO-C12A
93	G2553	BODY	18-C150-FV-FL-WCB
94	G2254	Body Machining	18-C300-FV-BW-WCB
95	G1905	Body Machining	20-C150-GV-BW-MO-WCB-SG
96	G1904	Body Machining	20-C150-GV-FL-GO-WCB
97	G1910	Body Machining	20-C300-GV-BW-MO-WCB
98	G1911	Body Machining	20-C300-GV-FL-GO-WCB
99	G2007	Body Machining	20-C150-FV-BW-WCB
100	G2486	Body Machining	20-C150-FV-FL-WCB
101	G2486a	Body Machining	20-C150-FV-FL-CD3MN
102	G2146	Body Machining	22-C300-GV-BW-GO-WCB
103	G1919	Body Machining	24-C150-GV-BW-MO-WCB-BP
104	G1918	Body Machining	24-C150-GV-FL-WCB
105	G2397	Body Machining excludes Hinge pin drilling, top flange drilling and top flange machining.	24-C150-FV-FL-WCB
106	G2397a	Body Machining excludes Hinge pin drilling, top flange drilling and top flange machining.	24-C150-FV-FL-CF8M
107	G2397b	Body Machining excludes Hinge pin drilling, top flange drilling and top flange machining.	24-C150-FV-FL-CD3MN
108	G2450	Body Machining	26-C300-GV-BW-WCB
109	G2624	Body Machining	28-C300-GV-BW-WCB
110	G2473	Body Machining	32-C150-GV-BW-WCB
111	G266	Wedge Rough Machining	2-C600-GV-WCC/WCB/WC9/WC6
112	G264	Wedge Rough Machining	2-C600-GV-CF8M/CF8
113	G290	Wedge Rough Machining	4-C300-GV-CF8M/CF8
114	G2281	Wedge Rough	6-C300-GV-BW-HW-CF8M-ND
115	G305	Wedge Rough Machining	6-C300-GV-CF8M/CF8

Valves - List of Components

Annexure - I

S.No	Gr. No	Job/Component Description	Description of Valve/ Product (Used in)
116	G467	Wedge Rough Machining	10-C150-GV-WCB/WCC NC WEDGE
117	G466	Wedge Rough Machining	10-C150-GV-WCB/WCC/WC9/WC6
118	G2290	Wedge Rough	10-C150-GV-CF8M-ND
119	G463	Wedge Rough Machining	10-C150-GV-CF8/CF8M
120	G467a	Wedge Rough Machining	10-C150-GV-BW-HO-CD3MN
121	G235	Wedge Rough Machining	12-C150-GV-WCB/WCC
122	G240b	Wedge Rough Machining	12-C300-GV-WCB/WCC/WC9 NC
123	G240	Wedge Rough Machining	12-C300-GV-WCB/WCC/WC6/WC9
124	G1889	Wedge Rough Machining	12-C600-GV-BW-GO-WCB/WCC
125	G244	Wedge Rough Machining	14-C150-GV-WCB/WCC
126	G243	Wedge Rough Machining	14-C150-GV-CF8M/CF8
127	G244b	Wedge Rough Machining	14-C150-GV-FL-GO-CD3MN
128	G247	Wedge Rough Machining	14-C300-GV-WCB/WCC/WC6/WC9
129	G246	Wedge Rough Machining	14-C300-GV CF8/CF8M
130	G247a	Wedge Rough Machining	14-C300-GV-BW-MO-C12A
131	G248	Wedge Rough Machining	16-C150-GV-WCB/WCC
132	G248b	Wedge Rough Machining	16-C150-GV-CF8M
133	G250	Wedge Rough Machining	16-C300-GV-WCB/WCC/WC6/WC9
134	G251	Wedge Rough Machining	18-C150-GV-WCB/WCC
135	G250b	Wedge Rough Machining	18-C300-GV-BW-GO-C12A
136	G1907	Wedge Rough Machining	20-C150-GV-BW-MO-WCB-BP
137	G1914	Wedge Rough Machining	20-C300-GV-BW-GO-WCB-BP
138	G2150	Wedge Rough Machining	22-C300-GV-BW-GO-WCB

Valves - List of Components

Annexure - I

S.No	Gr. No	Job/Component Description	Description of Valve/ Product (Used in)
139	G1921	Wedge Rough Machining	24-C150-GV-BW-MO-WCB
140	G2451	Wedge Rough	26-C300-GV-BW-WCB
141	G2526	Wedge Rough	32-C150-GV-WCB
142	G262	Wedge Slitting	2-C300-GV-WCB/WCC/WC9/WC6
143	G271	Wedge Slitting	3-C150-GV-WCB/WCC/WC9/WC6
144	G269	Wedge Slitting	3-C150-GV-CF8M/CF8
145	G279	Wedge Slitting	3-C300-GV-WCB/WCC/WC9/WC6
146	G274	Wedge Slitting	3-C300-GV-CF8/CF8M
147	G286	Wedge Slitting	4-C150-GV-WCB/WCC/WC9/WC6
148	G281	Wedge Slitting	4-C150-GV-CF8M/CF8
149	G293	Wedge Slitting	4-C300-GV-WCC/WCB/WC9/WC6
150	G289	Wedge Slitting	4-C300-GV CF8/CF8M
151	G301	Wedge Slitting	6-C150-GV-WCB/WCC/WC9/WC6
152	G298	Wedge Slitting	6-C150-GV-CF8M/CF8
153	G308	Wedge Slitting	6-C300-GV-WCB/WCC/WC9/WC6
154	G472	Wedge Slitting	8-C150-GV-CF8M/CF8
155	G310	Wedge Slitting	8-C300-GV-WCB/WCC/WC9/WC6
156	G465	Wedge Slitting	10-C150-GV-WCB/WCC/WC9/WC6
157	G464	Wedge Slitting	10-C150-GV-CF8/CF8M
158	G225	Wedge Slitting	10-C300-GV-WCB/WCC/WC9
159	G234	Wedge Slitting	12-C150-GV-WCB/WCC
160	G239	Wedge Slitting	12-C300-GV-WCB/WCC/WC6/WC9
161	G1889a	Wedge Slitting - before welding	12-C600-GV-BW-GO-WCB/WCC
162	G1884a	Wedge Slitting - before welding	12-C600-GV-CF8
163	G244a	Wedge Slitting - after welding	14-C150-GV-WCB/WCC
164	G243a	Wedge Slitting - after welding	14-C150-GV-CF8M/CF8
165	G248a	Wedge Slitting - after welding	16-C150-GV-WCB/WCC
166	G250a	Wedge Slitting - before welding	16-C300-GV-WCB/WCC/WC6/WC9
167	G251a	Wedge Slitting - after welding	18-C150-GV-WCB/WCC
168	G1907a	Wedge Slitting - after welding	20-C150-GV-WCB/WCC
169	G1914a	Wedge Slitting - before welding	20-C300-GV-WCB/WCC
170	G2150a	Wedge Slitting - before welding	22-C300-GV-BW-GO-WCB
171	G1921a	Wedge Slitting - before welding	24-C150-GV-BW-MO-WCB

Valves - List of Components

Annexure - I

S.No	Gr. No	Job/Component Description	Description of Valve/ Product (Used in)
172	G2451a	Wedge Slitting - before welding	26-C300-GV-BW-WCB
173	G2526a	Wedge Slitting - after welding	32-C150-GV-WCB
174	G1890	Bonnet Machining	12-C600-GV-BW-GO-WCB/WCC/WC9
175	G216	Bonnet Machining	14-C150-GV-WCB/WCC/WC6/WC9
176	G215	Bonnet Machining	14-C150-GV-CF8M/CF8
177	G216a	Bonnet Machining	14-C150-GV-FL-GO-CD3MN
178	G219	Bonnet Machining	14-C300-GV-WCB/WCC/WC9
179	G218	Bonnet Machining	14-C300-GV-CF8/CF8M
180	G219a	Bonnet Machining	14-C300-GV-BW-MO-C12A
181	G220	Bonnet Machining	16-C150-GV-WCB/WCC
182	G1906	Bonnet Machining	20-C150-GV-FLWCB
183	G1913	Bonnet Machining	20-C300-GV-BW-WCB/WC9
184	G2152	Bonnet Machining	22-C300-GV-BW-GO-WCB
185	G1920	Bonnet Machining	24-C150-GV-FL-WCB
186	G2452	Bonnet Machining	26-C300-GV-BW-WCB
187	G2511	Bonnet Machining	32-C150-GV WCB
188	G353	Yoke Machining	2-C600-GV-HW-WCB/WCC
189	G352	Yoke Machining	2-C600-GV-HW-CF8M/CF8
190	G349	Yoke Machining	2-C300-RV-MO-WCB/WCC
191	G371	Yoke Machining	3-C300-RV-MO-WCB/WCC/WC9/WC6
192	G367	Yoke Machining	3-C300-RV-HW-CF8M/CF8
193	G369	Yoke Machining	3-C300-RV-MO-CF8/CF8M
194	G401	Yoke Machining	4-C600-GV-MO-WCB/WCC
195	G1772	Yoke Cover	4" 600 GV WCB
196	G403	Yoke Machining	5-C300-GV-HW-WCB/WCC
197	G2278	Yoke Machining	6-C150-GV-BW-HW/MO-CF8M-ND
198	G1771	Yoke Cover	6" 600 GV WCB
199	G491	Yoke Rough	6-C300-RV-MO-WCB/WCC/WC9/WC6
200	G486	Yoke Rough	6-C300-RV-MO-CF8M/CF8
201	G487	Yoke Machining	6-C300-RV-MO-CF8M/CF8
202	G488	Yoke Machining	6-C300-SV-HW-CF8M/CF8
203	G2286	Yoke Machining	8-C300-GV-HW/MO-CF8M-ND
204	G507	Yoke Machining	8-C300-RV-HW-WCB/WCC
205	G509	Yoke Rough	8-C300SPL-RV-MO-WCB/WCC
206	G505	Yoke Rough	8-C300-RV-MO-CF8M/CF8
207	G506	Yoke Machining	8-C300-SV-HW-CF8/CF8M
208	G484	Yoke Machining	10-C150-GV-HW-WCB/WCC/WC9/WC6
209	G2460	Yoke Machining	10-C300-GV-HW/MO-CF8M NC
210	G324	Yoke Machining	12-C150-GV-HW-WCB/WCC
211	G1885	Yoke Machining	12-C600-GV-FL-GO-CF8-BP
212	G331	Yoke Machining	16-C150-GV-MO-WCB/WCC
213	G333	Yoke Machining	18-C150-GV-MO-WCB/WCC

Valves - List of Components

Annexure - I

S.No	Gr. No	Job/Component Description	Description of Valve/ Product (Used in)
214	G1908	Yoke Machining	20-C150-GV-FL-WCB
215	G1915	Yoke Machining	20-C300-GV-BW-WCB
216	G2157	Yoke Machining	22-C300-GV-BW-GO-WCB
217	G1922	Yoke Machining	24-C150-GV-BW-WCB
218	G2472	Yoke Machining	32-C150-GV-MO-WCB
219	G2274	Stopper	12-C300-RV-BW-MO-WCB
220	G2374	Stopper	16-C300-RV-BW-MO-WCB
221	G2375	Stopper	16-C600-RV-BW-MO-WCC
222	G2275	Sunk Key	12-C300-RV-BW-MO-WCB
223	G2371	Key	14-C600-RV-BW-MO-WCC
224	G2376	Sunk Key	16-C300-RV-BW-MO-WCB
225	G2372	Key	16-C600-RV-BW-MO-WCC
226	G1155	SCREW PLUG - 1/2-F604	4-C300-GV-BW-HW-WCB
227	G2572	EYE BOLT	16-C600-RV-BW-MO-WCC
228	G1433	STEM	2-C600-GV-WCB
229	G1431	STEM	2-C600-GV-CF8M
230	G1429	STEM	2-C300-RV/SV-WCB
231	G1429a	STEM (F316)	2-C300-SV-FL-HO-WCB-SG
232	G1440	STEM	3-C300-GV-WCB
233	G1438	STEM	3-C300-GV-CF8M/CF8
234	G1451	STEM	4-C300-GV-WCB
235	G1449	STEM	4-C300-GV-CF8/CF8M
236	G1463	STEM	6-C300-GV-WCB
237	G1461	STEM	6-C300-GV-CF8M/ND
238	G1466	STEM	6-C300-RV/SV-WCB
239	G1464	STEM	6-C300-RV/SV-CF8M
240	G1941	STEM	12-C600-GV-FL-CF8/WCB
241	G2263	Stem	12-C300-RV-BW-MO-WCB
242	G2263a	Stem	12-C300-RV-BW-MO-CF8M
243	G2263b	STEM-P729	12-C300-SV-BW-GO-CD3MN
244	G1416	STEM	14-C300-GV-WCB
245	G1415	STEM	14-C300-GV-CF8
246	G2365	Stem	14-C600-RV-MO-WCC
247	G2367	Stem	16-C600-RV-BW-MO-WCC
248	G1420	STEM	18-C150-GV-BW-GO-WCB
249	G2057	STEM	20-C300-GV-BW-GO-WCB
250	G2080	STEM	24-C150-GV-FL-GO-WCB
251	G2081	STEM	24-C150-GV-BW-MO-WCB
252	G2251	STEM-E495 Extension Spindle	24-C150-GV-GO-WCB
253	G2527	Stem Machining	32-C150-GV-WCB
254	G1430a	STEM (with Hard Chrome Plating)	2-C300-SV-BW-MO-WC9

Valves - List of Components

Annexure - I

S.No	Gr. No	Job/Component Description	Description of Valve/ Product (Used in)
255	G1455	STEM (with Hard Chrome Plating)	4-C600-GV-WC6
256	G1465	STEM (with Hard Chrome Plating)	6-C300-RV/SV-WC9/WC6
257	G1941a	STEM (with Hard Chrome Plating)	12-C600-GV-FL-WC9
258	G1414	STEM (with Hard Chrome Plating)	14-C300-GV-WC9
259	G1418	STEM (with Hard Chrome Plating)	16-C300-GV-WC9
260	G2366a	Stem with Hard Chrome plating	16-C300-RV-WC9
261	G2306	Stem	2.5-C1500-GLV/GNV-HO/MO-WCC
262	G610	ARM ASSY F316-Z004	2-C150-FV-FL-CF8
263	G614	ARM ASSY	2-C300-FV-FL-WCB/WC6/WC9
264	G612	ARM ASSY-Z014	2-C300-FV-BW-CF8
265	G616	ARM ASSY-5157	3-C150-FV-FL-WCB
266	G615	ARM ASSY-5199	3-C150-FV-FL-CF8M
267	G619	ARM ASSY-5152	3-C300-FV-FL-WCB/WC9
268	G618	ARM ASSY-Z015	3-C300-FV-FL-CF8
269	G607	ARM ASSY-Z017	10-C300-FV-BW-WCB
270	G606	ARM ASSY-ZO43	10-C300-FV-BW-CF8M
271	G609	ARM ASSY-Z018	12-C300-FV-BW-WCB
272	G608	ARM ASSY-Z047	12-C300-FV-BW-CF8M
273	G2550b	ARM	14-C150-FV-FL-WCB
274	G2550a	ARM-CF8	14-C150-FV-FL (Z082S182)
275	G1970	ARM ASSY-Z023	14-300-WCB-BW-FV
276	G1970a	ARM ASSY-Z080	14-300-CF8M-BW-FV
277	G2463	ARM ASSY	16-C150-FV-FL-WCB
278	G2463a	ARM Assembly - CF8	16-C150-FV-FL (Z089S182)
279	G2463b	Arm Assembly	16-C150-FV-FL-CD3MN
280	G1895	ARM ASSY-Z022	16-300SPL-WCB-BW-FV
281	G2555	Arm Assembly	18-C150-FV-FL-WCB
282	G2555a	Arm Assembly	18-C150-FV-CF8
283	G2423	ARM ASSY-5126	24-C150 FV FL WCB
284	G2423b	ARM ASSY-5126	24-C150 FV FL CF8M
285	G2423a	Arm Assembly	24-C150-FV-FL-CD3MN
286	G2001	KNOCK PIN D16X25-Z029	16-300SPL-WCB-BW-FV
287	G2009	KNOCK PIN D16X27-L805	20-150-WCB-BW-FV
288	G2010	KNOCK PIN D16X27-L805	20-150-WCB-BW-FV
289	G1148a	PLUG-Z113	4-C150-FV-BW-CD3MN

Valves - List of Components

Annexure - I

S.No	Gr. No	Job/Component Description	Description of Valve/ Product (Used in)
290	G2402	SCREW PLUG M56X2-5107	24-C150-FV-FL-WCB
291	G2497a	SCREW PLUG (B7)	24-C150-FV-FL-WCB
292	G2497	SCREW PLUG M56X3-U581	24-C150-FV-FL-CF8M
293	G2497b	SCREW PLUG M56X3-Z116	24-C150-FV-FL-CD3MN
294	G2466	Hinge Pin	16-C150-FV-FL-WCB
295	G848	COVER with Nut	2-C150-FV-WCB
296	G847	COVER	2-C150-FV-CF8/CF8M
297	G851	COVER with Nut	2-C300-FV-FL-WCB
298	G849	COVER	2-C300-FV-BW-CF8
299	G2513	Cover Machining	14-C150-FV-FL-WCB
300	G1971	COVER	14-300-WCB-BW-FV/WC9
301	G2468	Cover	14-C300-FV-BW-CF8M
302	G1898	COVER-Z021	20-150-WCB-BW-FV
303	G1898a	COVER-U917	20-C150-FV-FL-CD3MN
304	G1972	LUG-Z023	14-300-WCB-BW-FV/WC9
305	G2509	Lug Machining	16-C150-FV-FL-WCB
306	G2509a	LUG-Z114	16-C150-FV-FL-CD3MN
307	G2002	LUG-Z022	16-300SPL-WCB-BW-FV/WC9
308	G2011	LUG-Z021	20-150-WCB-BW-FV
309	G2011a	LUG-Z115	20-C150-FV-FL-CD3MN
310	G1969	DISC NUT-L802 (FLAP NUT)	14-300-WCB-BW-FV
311	G2449	Disc Nut	16-C150-FV-FL-WCB
312	G2449a	DISC NUT-Z114	16-C150-FV-FL-CD3MN
313	G2000a	DISC NUT-U946 (F316)	18-C150-FV-FL-WCB
314	G2000b	DISC NUT-Z115	20-C150-FV-FL-CD3MN
315	G2474	Nut	24-C150-FV-WCB
316	G2519a	NUT-Z116	24-C150-FV-FL-CD3MN
317	G1608	Seat Ring Rough	2-C150-GV-BW-HW-WCB
318	G1611	Seat Ring Rough	2-C300-GV-BW-MO-WCB
319	G2292a	Seat Ring Rough	10-C300-RV-WCB
320	G2292	Seat Ring Rough	10-C300-RV-CF8M
321	G2265	Seat Ring Rough	12-C300-RV-BW-MO-WCB
322	G2615	Parting of PIPE DIA 406.4 X 42 X 6000 SA335P91 + Rough Seat Machining	14-C300-GV-BW-MO-C12A
323	G2405	SEATRING ROUGH-NH50	14-C600-RV-WCB
324	G2524	Seat Ring Rough	14-C150-FV-FL-WCB

Valves - List of Components

Annexure - I

S.No	Gr. No	Job/Component Description	Description of Valve/ Product (Used in)
325	G2406	SEAT RING ROUGH-NH51	16-C300-RV-WCB
326	G2440	Seat Ring Rough	16-C600-RV-WCB
327	G2613	Parting of PIPE DIA 457 X 42 X 6000 SA335P91 + Rough Seat Ring Machining	18-C300-GV-BW-GO-C12A
328	G2614	Parting of PIPE OD 508 X 80 X 6000 - SA335P91 + Rough Seat Ring Machining	18-C300-RV-BW-MO-C12A
329	G2523	Seat Ring Rough	18-C150-FV-FL-WCB
330	G2149	Seat Ring Rough	22-C300-GV-BW-GO-WCB
331	G2490	Seat Ring Rough	26-C300-GV-BW-WCB
332	G2491	Seat Ring Rough	32-C150-GV-BW-WCB
333	G1271	Seat Ring Final	2-C600-GV-FL-HW-WCB
334	G1270	Seat Ring Final	2-C600-GV-FL-HW-CF8M
335	G1268	Seat Ring Final	2-C300-RV-BW-MO-WCB
336	G1267	Seat Ring Final	2-C300-SV-BW-HW-CF8
337	G1264	Seat Ring Final	2-C150/C300-FV-FL-WCB
338	G1257	Seat Ring Final	2-C150-FV-FL-CF8
339	G1263	Seat Ring Final Stellite	2-C300-FV-FL-WC6
340	G2548	Seat Ring Final	2-C300-FV-BW-WC9
341	G1292	Seat Ring Final	3-C600-GV-BW-MO-WC6/CF8M
342	G1293	Seat Ring Final	3-C600-GV-RTJ-HW-WCB
343	G1289	Seat Ring Final	3-C300-RV-BW-HW-WC6
344	G1288	Seat Ring Final Stellite	3-C300-RV-BW-MO-CF8M
345	G1290	Seat Ring Final Stellite	3-C300-SV-BW-HW-WCB
346	G1281	Seat Ring Final	3-C300-FV-WC9/WC6
347	G1318	Seat Ring Final	4-C600-GV-BW-HW-WC6
348	G1319	Seat Ring Final	4-C600-GV-BW-HW-WCC
349	G1318a	Seat Ring Final	4-C600-GV-BW-HW-CF8M
350	G1316	Seat Ring Final Stellite	4-C300-RV-BW-MO-WCB
351	G1313	Seat Ring Final	4-C300-RV-BW-MO-CF8M
352	G1314	Seat Ring Final Stellite	4-C300-RV-BW-MO-CF8M
353	G1317	Seat Ring Final	4-C300-SV-BW-MO-WCB
354	G1295	Seat Ring Final Stellite	4-C150-FV-FL-WCB
355	G1307	Seat Ring Final Stellite	4-C300-FV-FL-WCB
356	G1304	Seat Ring Final Stellite	4-C300-FV-BW-CF8M
357	G1345	Seat Ring Final Stellite	6-C300-RV-BW-MO-WCB

Valves - List of Components

Annexure - I

S.No	Gr. No	Job/Component Description	Description of Valve/ Product (Used in)
358	G1341	Seat Ring Final Stellite	6-C300-RV-FL-MO-CF8M
359	G1343	Seat Ring Final	6-C300-SV-FL-HW-WC6
360	G1322	Seat Ring Final Stellite	6-C150-FV-BW-WCB
361	G1323	Seat Ring Final	6-C150-FV-FL-WCB
362	G1320	Seat Ring Final Stellite	6-C150-FV-BW-CF8/CF8M
363	G1321	Seat Ring Final	6-C150-FV-FL-CF8M
364	G1331	Seat Ring Final Stellite	6-C300-FV-BW-CF8M
365	G1366	Seat Ring Final	8-C300-SV-FL-HW-CF8
366	G1350	Seat Ring Final	8-C150-FV-FL-WCB
367	G1348	Seat Ring Final Stellite	8-C150-FV-BW-CF8
368	G1349	Seat Ring Final	8-C150-FV-CF8M/CF8
369	G1361	Seat Ring Final	8-C300-FV-FL-WCB
370	G1223	Seat Ring Final Stellite	10-C300-FV-FL-WCB
371	G1224	Seat Ring Final	10-C300-FV-FL-WCB
372	G1222	Seat Ring Final	10-C300-FV-BW-CF8M
373	G1240	Seat Ring Final	12-C300-GV-BW-GO-WC9
374	G1243	Seat Ring Final	12-C300-GV-FL-GO-WCB
375	G2264	Seat Ring Final (stellite)	12-C300-RV-BW-MO-WCB
376	G2264a	Seat Ring Final	12-C300-RV-BW-MO-CF8M
377	G2264b	SEAT RING Final Stellite	12-C300-SV-FL-GO-CF8M
378	G2264c	Seat Ring Final (stellite)	12-C300-SV-BW-GO-CD3MN
379	G1238	Seat Ring Final Stellite	12-C300-FV-FL-WCB
380	G1239	Seat Ring Final	12-C300-FV-FL-WCB
381	G1237	Seat Ring Final	12-C300-FV-BW-CF8M
382	G1244	Seat Ring Final Stellite	14-C150-GV-BW-GO-WCB
383	G1245	Seat Ring Final	14-C150-GV-WCB
384	G1246	Seat Ring Final	14-C300-GV-BW-MO-WC9
385	G1248	Seat Ring Final Stellite	14-C300-GV-FL-GO-WCB
386	G1249	Seat Ring Final	14-C300-GV-FL-MO-WCB
387	G1247	Seat Ring Final	14-C300-GV-FL-GO-CF8
388	G1246a	Seat Ring Final	14-C300-GV-BW-MO-C12A
389	G2362	Seat Ring Final	14-C600-RV-BW-WCB/WCC/WC9
390	G2552b	Seat Ring Final	14-C150-FV-FL-WCB
391	G2552a	Seat Ring Final -CF8	14-C150-FV-FL (Z082S182)
392	G1250	Seat Ring Final Stellite	16-C150-GV-BW-MO-WCB
393	G1253	Seat Ring Final	16-C300-GV-FL-MO-WC9

Valves - List of Components

Annexure - I

S.No	Gr. No	Job/Component Description	Description of Valve/ Product (Used in)
394	G1254	Seat Ring Final Stellite	16-C400-GV-BW-GO-WCB
395	G2364	Seat Ring Final	16-C600-RV-BW-WCB/WCC/WC9
396	G2006	Seat Ring Final	16-300SPL-WCB-BW-FV/WC9/STL
397	G1255	Seat Ring Final	18-C150-GV-BW-MO-WCB
398	G1256	Seat Ring Final Stellite	18-C150SPL-GV-WCB
399	G1253a	Seat Ring Final	18-C300-GV-BW-GO-C12A
400	G2363a	Seat Ring Final	18-C300-RV-BW-MO-C12A
401	G2557	Seat Ring Final	18-C150-FV-FL-WCB
402	G2557a	Seat Ring Final	18-C150-FV-CF8
403	G2033	Seat Ring Final	20-C150-GV-FL-GO-WCB-BP
404	G2051	Seat Ring Final Stellite	20-C300-GV-FL-GO-WCB/WC9
405	G2052	Seat Ring Final	20-C300-GV-BW-MO-WCB
406	G2148	Seat Ring Final	22-C300-GV-BW-GO-WCB
407	G2073	Seat Ring Final Stellite	24-C150-GV-BW-MO-WCB K902
408	G2074	Seat Ring Final	24-C150-GV-FL-MO-WCB
409	G2400	Seat Ring Final	24-C150-FV-FL-WCB
410	G2400a	Seat Ring Final	24-C150-FV-FL-CF8M
411	G2521	Seat Ring final	26-C300-GV-BW-WCB
412	G2525	Seat Ring final	32-C150-GV-WCB
413	G1687	Back Seat Rough	2-C600-GV-FL-HW-WCB
414	G1690	Back Seat Rough	3-C300-RV-BW-HW-WC6
415	G1698	Back Seat Rough	4-C600-GV-BW-HW-WCC/WCB
416	G1698a	Back Seat Rough	4-C600-GV-BW-HW-CF8
417	G1696	Back Seat Rough	4-C300-RV-FL-HW-WCB
418	G1703	Back Seat Rough	6-C300-RV-BW-HW-WCB
419	G1708	Back Seat Rough	8-C150-GV-BW-HW-WCB
420	G1711	Back Seat Rough	8-C300-GV-BW-MO-WCB
421	G1713	Back Seat Rough	8-C600-GV-BW-GO-WCB/WCC
422	G1712	Back Seat Rough	8-C300-RV-BW-HW-WCB
423	G2092	Back Seat Rough	10-C300-RV-BW-MO-WCB/WC9
424	G1676	Back Seat Rough	12-C300-GV-FL-GO-WC6/NC
425	G1943	Back Seat Rough	12-C600-GV-BW-GO-WCB/WC9
426	G2270	Back Seat Rough	12-C300-RV-BW-MO-WCB
427	G1677	Back Seat Rough	14-C150-GV-FL-MO-WCB
428	G658a	Back Seat Rough	14-C600-RV-BW-MO-WCC
429	G1679	Back Seat Rough	16-C150-GV-BW-MO-WCB
430	G1680	Back Seat Rough	16-C300-GV-FL-MO-WCB/WC9
431	G2045	Back Seat Rough	20-C300-GV-BW-GO-WCB/WC9
432	G2154	Back Seat Rough	22-C300-GV-BW-GO-WCB
433	G2063	Back Seat Rough	24-C150-GV-BW-MO-WCB-SG
434	G2063a	Back Seat Rough	28-C300-GV-BW-MO-WCB
435	G665	Back Seat Final	2-C150-GV-WCB
436	G662	Back Seat Final	2-C150-GV-CF8

Valves - List of Components

Annexure - I

S.No	Gr. No	Job/Component Description	Description of Valve/ Product (Used in)
437	G667	Back Seat Final	2-C300-GV-WCB
438	G674	Back Seat Final	2-C600-GV-WCB
439	G669	Back Seat Final F6	2-C300-RV-WCB
440	G672	Back Seat Final	2-C300-SV-CF8
441	G677	Back Seat Final	3-C150-GV-WCB
442	G679	B.Seat Final F6	3-C150-GV-WCB
443	G675	Back Seat Final	3-C150-GV-CF8/CF8M
444	G689	Back Seat Final F6	4-C150-GV-BW-HW-WCB
445	G692	Back Seat Final	4-C150-GV-FL-HW-WCB
446	G687	Back Seat Final	4-C150-GV-BW-HW-CF8M
447	G689a	BACK SEAT BUSH-NK32	4-C150-GV-BW-HO-CD3MN
448	G697	Back Seat Final F6	4-C300-RV-FL-HW-WCB
449	G696	Back Seat Final	4-C300-RV-BW-MO-CF8
450	G697a	BACK SEAT-P725	4-C300-SV-BW-HO-CD3MN
451	G715	Back Seat Final F6	6-C300-GV-WCB
452	G716	Back Seat Final	6-C300-GV-WCB
453	G719	Back Seat Final	6-C300-RV-WCB
454	G729	Back Seat Final	8-C150-GV-WCB
455	G730	Back Seat Final F6	8-C150-GV-WCB
456	G731	Back Seat Final NC	8-C150-GV-WCB
457	G734	Back Seat Final	8-C300-GV-WCB
458	G735	Back Seat Final F6	8-C300-GV-WCB
459	G736	Back Seat Final	8-C300-GV-CF8M
460	G739	Back Seat Final F6	8-C300-RV-WCB
461	G637	Back Seat Final	10-C300-GV-WCB
462	G636	Back Seat Final	10-C300-GV-CF8M
463	G639	Back Seat Final	10-C300-RV-WCB
464	G639b	BACK SEAT ASSY-P728	10-C300-RV-BW-MO-CD3MN
465	G972	GLAND FLANGE	8-C300SPL-RV-BW-WCB
466	G944	GLAND FLANGE	10-C150-GV-FL-MO-WCB
467	G945	GLAND FLANGE	10-C300-GV-BW-MO-WCB
468	G1980	GLAND FLANGE	10-C600-GV-FL-MO-WCB-BP
469	G946	GLAND FLANGE	10-C300-RV-BW-MO-WCB
470	G947	GLAND FLANGE	12-C150-GV-BW-HW-WCB
471	G949	GLAND FLANGE	12-C300-GV-BW-GO-WC9
472	G1935	GLAND FLANGE	12-C600-GV-FL-WCB
473	G2272	Gland Flange	12-C300-RV-BW-MO-WCB
474	G950	GLAND FLANGE	14-C150-GV-FL-GO-WCB
475	G951	GLAND FLANGE	14-C300-GV-BW-GO-WC9
476	G2368	Gland Flange	14-C600-RV-BW-MO-WCC
477	G952	GLAND FLANGE	16-C150-GV-BW-MO-WCB
478	G953	GLAND FLANGE	16-C400-GV-BW-GO-WCB
479	G2369	Gland Flange	16-C300-RV-BW-MO-WCB
480	G2370	Gland Flange	16-C600-RV-BW-MO-WCC

Valves - List of Components

Annexure - I

S.No	Gr. No	Job/Component Description	Description of Valve/ Product (Used in)
481	G2049	GLAND FLANGE	20-C300-GV-BW-GO-WCB
482	G2155	GLAND FLANGE	22-C300-GV-BW-GO-WCB
483	G2068	GLAND FLANGE	24-C150-GV-BW-MO-WCB
484	G2562	GLAND FLANGE	32-C150-GV-BW-MO-WCB
485	G990	Gland Follower	2-C150-GV-CF8
486	G992	Gland Follower	2-C300-GV-WCB
487	G996	Gland Follower	3-C150-GV-WCB/WC6
488	G999	Gland Follower	3-C600-GV-WCB
489	G998	Gland Follower	3-C300-RV-WCB
490	G997	Gland Follower	3-C300-RV-CF8M
491	G1002	Gland Follower	4-C150-GV-WCB
492	G1000	Gland Follower	4-C150-GV-CF8M
493	G1003	Gland Follower	4-C300-GV-CF8M
494	G1005	Gland Follower	4-C600-GV-WCB
495	G1005a	Gland Follower	4-C600-GV-CF8M
496	G1004	Gland Follower	4-C300-SV-WCB
497	G1008	Gland Follower	6-C150-GV-WCB
498	G1006	Gland Follower	6-C150-GV-CF8M/CF8
499	G1012	Gland Follower	6-C300-GV-WCB
500	G1014	Gland Follower	6-C600-GV-WCB
501	G1013	Gland Follower	6-C300-RV-WCB
502	G1016	Gland Follower	8-C150-GV-WCB
503	G1015	Gland Follower	8-C150-GV-CF8M
504	G1019	Gland Follower	8-C300-GV-WCB
505	G2112	Gland Follower	8-C600-GV-FL-GO-WCB
506	G1020	Gland Follower	8-C300-RV-WCB
507	G976	Gland Follower	10-C150-GV-WCB/NC
508	G979	Gland Follower	10-C300-GV-WCB
509	G1981	Gland Follower	10-C600-GV-FL-MO-WCB-BP
510	G980	Gland Follower	10-C300-RV-WCB
511	G982	Gland Follower	12-C150-GV-WCB
512	G983	Gland Follower	12-C300-GV-WC9
513	G1944	Gland Follower	12-C600-GV-BW-GO-WCB
514	G2273	Gland Follower	12-C300-RV-BW-MO-WCB
515	G986	Gland Follower	16-C150-GV-WCB
516	G987	Gland Follower	16-C300-GV-WCB
517	G2048	Gland Follower	20-C300-GV-BW-GO-WCB
518	G2156	Gland Follower	22-C300-GV-BW-GO-WCB
519	G2067	Gland Follower	24-C150-GV-BW-MO-WCB
520	G2617	GLAND FOLLOWER-N827	32-C150-GV-BW-MO-WCB-SG
521	G2539	Spacer	2/3/4-C300-GV-BW-HW-WCB
522	G2533	Spacer	2/3-C600-GV-FL-HW-WCB
523	G2536	Spacer	2/3-C600-GV-FL-HW-CF8M
524	G2444	SPACER-N202	3-C150-GV-WCB/CF8M

Valves - List of Components

Annexure - I

S.No	Gr. No	Job/Component Description	Description of Valve/ Product (Used in)
525	G2528	Spacer	3/4-C300-SV-FL-HW-WCB
526	G2445	SPACER-N203	4-C150-GV-WCB/CF8M
527	G2534	Spacer	4-C600-GV-FL-HW-WCB
528	G2446	SPACER-N204	6-C150-GV-WCB
529	G2541	Spacer	6/300-C150-GV-BW-HW-CF8M
530	G2447	SPACER-N212	6/8-C300-GV-WCB/CF8M
531	G2535	Spacer	6/8-C600-GV-FL-HW-WCB
532	G2532	Spacer	6/8-C300-SV-FL-HW-WCB
533	G2538	Spacer	10/12-C150-GV-BW-HW-WCB
534	G2448	SPACER-N213	10-C300-GV-WCB/CF8M
535	G1987	SPACER-F506	10/12-C600-GV-FL-MO-WCB-BP
536	G2542	Spacer	10/12-C300-RV-BW-MO-WCB
537	G2543	Spacer	12-C150-GV-BW-HW-CF8M
538	G2546	Spacer	12-C300-GV-FL-MO-WCB
539	G2540	Spacer	14/16/18-C150-GV-FL-MO-WCB
540	G2545	Spacer	14-C600-RV-BW-MO-WCC
541	G2529	Spacer	16/18-C300-RV-BW-MO-WCB
542	G2547	Spacer	16-C600-RV-BW-MO-WCC
543	G2038	SPACER-N597	20-C150-GV-BW-MO-WCB-BP
544	G2056	SPACER-U123	20-C300-GV-BW-GO-WCB
545	G2544	Spacer	22-C300-GV-BW-GO-WCB
546	G2078	SPACER-N705	24-C150-GV-BW-MO-WCB-SG
547	G2537a	Spacer	26-C300-GV-BW-MO-WCB
548	G2537	Spacer	32-C150-GV-BW-GO-WCB-BP
549	G2488	Disk Rough Stellite	2-C300-RV-CF8M
550	G2267	Dis Rough + Final machining (except seat m/c)	12-C300-RV-BW-GO-WCB
551	G2438	Dis Rough + Final machining (except seat m/c)	12-C300-SV-WCB
552	G2438a	Dis Rough + Final machining (except seat m/c)-P639	12-C300-SV-FL-GO-CF8M
553	G2267a	Disc Rough + Final machining (except seat m/c)	12-C300-SV-BW-GO-CD3MN
554	G2560	Disk Rough SV	14-C600-SV-FL-GO-WCC
555	G2271	Disk Guide Rod	12-C300-RV-BW-MO-WCB
556	G2271a	DISK GUIDE ROD - P729	12-C300-SV-BW-GO-CD3MN
557	G1163	DISK ASSY RV FINAL STELITTED	3-C300-RV-CF8M
558	G1172	DISK ASSY RV FINAL STELITTED	4-C300-RV-WCB

Valves - List of Components

Annexure - I

S.No	Gr. No	Job/Component Description	Description of Valve/ Product (Used in)
559	G1169	DISK ASSY RV FINAL STELITTED	4-C300-RV-CF8M
560	G889	Disk Final SV	4-C300-SV-WC6
561	G886a	Disk Final Stellited	4-C300-SV-FL-HO-CF8M
562	G1177	DISK ASSY RV FINAL STELITTED	6-C300-RV-WCB/WC9
563	G893	Disk Final SV Stellited	6-C300-SV-WCB
564	G891a	Disk Final Stellited	6-C300-SV-FL-HO-CF8M
565	G898	Disk Final SV Stellited	8-C300-SV-WCB
566	G896a	Disk Final Stellited	8-C300-SV-FL-HO-CF8M
567	G2559	Disk Final	14-C600-SV-FL-GO-WCC
568	G900	Disc Retainer SV	2-C300-SV-CF8
569	G1198	Disc Retainer RV	4-C300-RV-WC9
570	G902	Disc Retainer SV/RV	4-C300-SV-WCB/WCC
571	G906	Disc Retainer SV	8-C300-SV-WCB/WCC
572	G2088	DISC NUT-0055	10-C300-RV-BW-MO-WCB
573	G2268	Disc Nut	12-C300-RV-BW-MO-WCB
574	G2268a	Disc Nut	12-C300-RV-BW-MO-CF8M
575	G2268b	DISC NUT-P729	12-C300-SV-BW-GO-CD3MN
576	G2359	Disk Nut	14-C600-RV-BW-WCB/WCC/WC9/C12A
577	G2360	Disk Nut	16-C300-RV-BW-WCB/WCC/WC9/C12A
578	G2361	Disk Nut	16-C600-RV-BW-WCB/WCC/WC9/C12A
579	G1501	THRUST PLATE-P339	3-C300-RV-BW-HW-CF8M
580	G1502	THRUST PLATE	4-C300-RV
581	G1503	THRUST PLATE	6-C300-RV
582	G1500	THRUST PLATE-P366	10-C300-RV-BW-MO-WCB
583	G1500a	THRUST PLATE-P728	10-C300-RV-BW-MO-CD3MN
584	G2276	Thurst Plate	12-C300-RV-BW-MO-WCB
585	G2276a	THRUST PLATE-P729	12-C300-SV-BW-GO-CD3MN
586	G1076	LANTERN RING	2-C300-GV/RV-WCB/CF8M-SG
587	G1078	LANTERN RING	3-C150-GV-WCB-SG
588	G1080	LANTERN RING	3-C600-GV-WCB-SG
589	G1079	LANTERN RING	3-C300-GV/RV-WCB/CF8M SG
590	G1081	LANTERN RING	4-C150-GV-WC9/WCB-SG
591	G1083	LANTERN RING	4-C600-GV-RTJ-HW-WCB-SG
592	G1082	LANTERN RING	4-C300-RV-CF8M/WCB-SG
593	G1084	LANTERN RING	6-C150-GV-CF8M/WCB-SG
594	G1086	LANTERN RING	6-C600-GV-WCB-SG
595	G1085	LANTERN RING	6-C300-RV-CF8M/WCB-SG
596	G1087	LANTERN RING	8-C150-GV-CF8M/WCB-SG
597	G1088	LANTERN RING	8-C300-GV/SV-HW-WCB-SG
598	G2454	Lantern Ring	10-C300-RV-CF8M

Valves - List of Components

Annexure - I

S.No	Gr. No	Job/Component Description	Description of Valve/ Product (Used in)
599	G1071	LANTERN RING	12-C150-GV-WCB-SG
600	G1984a	LANTERN RING-F707	12-C600-GV-BW-GO-WCC-SG
601	G1072	LANTERN RING	14-C150-GV-WCB-SG
602	G1073	LANTERN RING	16-C150-GV-WCB-SG
603	G2031	LANTERN RING-N370	20-C150-GV-BW-MO-WCB-SG
604	G2161	LANTERN RING-NG12	22-C300-GV-BW-GO-WCB
605	G2072	LANTERN RING-K821	24-C150-GV-BW-MO-WCB-SG
606	G2567	LANTERN RING-NG07	26-C300-GV-BW-MO-WCB-SG
607	G2563	LANTERN RING	32-C150-GV-BW-MO-WCB
608	G2260	Gas Cutting of carbon steel, alloy steel plates	Tk 135 mm to <155 mm
609	G2589	Gas Cutting of carbon steel, alloy steel plates	Tk 155 mm to <175 mm
610	G2590	Gas Cutting of carbon steel, alloy steel plates	Tk 175 mm to <190 mm
611	----	Metal Press work and Stainless Steel plate cutting and Bending upto 25 mm	Coal Compartment Assembly
612	----	Other Job work Items from Angles, Carbon Steel Plates, Round/Square bars and Pipes	Coal Compartment Assembly
613	G599	ADAPTOR-STEEL HO Valve	8" 300 RV WCB
614	G756	BOTTOM PLATE-K268	2-C150-GV-BW-HW-WCB
615	G757	BOTTOM PLATE-N209	3-C300-GV-FL-HW-WCB
616	G759	BOTTOM PLATE-NC08	8-C150-GV-FL-HW-WCB
617	G758	BOTTOM PLATE-K164	8-C150-GV-BW-HW-WCB-SG
618	G754	BOTTOM PLATE-K011	12-C150-GV-BW-HW-WCB-SG
619	G774	BUSH-K325	12-C300-GV-BW-GO-WCB
620	G1996	CAP PLATE-W002	14-C150-GV-FL-MO-WCB
621	G2163b	CAP PLATE-W004	16/18-C300-GV-BW-GO-WCB
622	G2163	CAP PLATE-W004	22-C300-GV-BW-GO-WCB
623	G1049	INDICATOR-N207	10-C150-GV-FL-HW-WCB
624	G915	END COVER-S847	3-C600-GV-BW-HW-WCB
625	G918	END COVER-S833	4-C300-GV-FL-HW-WCB
626	G920	END COVER-S836	6-C300-GV-BW-HW-WCB
627	G923	ENDCOVER-S837	8-C300-GV-BW-HW-WC9
628	G874	COVER-1705 (Speciality Item)	8-C300-RV-BW-MO-WCB
629	G1507	TOP COVER-B004	12-C150-GV-FL-MO-WCB
630	G2066	COVER-1083	24-C150-GV-BW-MO-WCB-SG
631	G927	FIXING CLAMP-K324	2-C150-GV-BW-HW-WCB
632	G928	FIXING CLAMP	3-C300-GV-FL-HW-WCB

Valves - List of Components

Annexure - I

S.No	Gr. No	Job/Component Description	Description of Valve/ Product (Used in)
633	G929	FIXING CLAMP-K163	8-C150-GV-BW-HW-WCB
634	G925	FIXING CLAMP-K011	10-C300-GV-BW-HW-WCB
635	G931	FIXING PLATE-K011	8-C150-GV-BW-HW-WCB
636	G1032	HAND WHEEL-K650	6-C300-SV-BW-HW-CF8M
637	G1033	HAND WHEEL-K652	8-C600-GV-RTJ-HW-WC6
638	G1036	HUB-K011	3-C300-GV-FL-HW-WCB
639	G1037	HUB-K357	4-C300-GV-BW-HW-WCB
640	G1034	HUB-K020	10-C300-GV-BW-HW-WCB
641	G1041	INDICATOR DISC-1149	3-C600-GV-BW-HW-WCB
642	G1042	INDICATOR DISC-S833	4-C300-GV-FL-HW-WCB
643	G1044	INDICATOR DISC-N248	6-C300-GV-BW-HW-WCB
644	G1045	INDICATOR DISC-N244	8-C300-GV-BW-HW-WC9
645	G1038	INDICATOR DISC-1084	10-C300-RV-BW-GO-WCB
646	G1040	INDICATOR DISC-N628	12-C300-GV-BW-GO-WC9
647	G2030	INDICATOR RING-N224	20-C150-GV-FL-GO-WCB
648	G2050	INDICATOR RING-N437	20-C300-GV-BW-GO-WCB
649	G2069	INDICATOR RING-1757	24-C150-GV-FL-GO-WCB
650	G1835	STUD-K248	4-C600-GV-FL-HW-WCB
651	G1828	STUD-5402	10-C150-GV-BW-MO-WCB
652	G1847	INDICATOR STUD-C434	16-C300-GV-BW-MO-WCB
653	G1093	LEVER PLATE-K325	12-C300-GV-BW-GO-WCB
654	G1097	LOCK BUSH-N205	8-C150-GV-BW-HW-WCB
655	G1098	LOCK BUSH-N204	8-C600-GV-FL-GO-WCB
656	G1095	LOCK BUSH-N206	10-C150-GV-BW-HW-WCB
657	G1096	LOCK BUSH-N213	12-C300-GV-BW-GO-WCB
658	G1095a	LOCK BUSH-N954	24-C150-GV-BW-GO-WCB-BP
659	G1115	LOCK PLATE	2-C600-GV-FL-HW-WCB
660	G1116	LOCK PLATE	3-C600-GV-BW-HW-WCB
661	G2489	Lock Plate	4-C300-RV-CF8M
662	G1117	LOCK PLATE	6-C150-GV-BW-HW-CF8M
663	G1118	LOCK PLATE	6-C300-GV-BW-HW-WCB
664	G1120	LOCK PLATE	8-C150-GV-BW-HW-WCB
665	G1121	LOCK PLATE	8-C300-GV-BW-HW-WCB
666	G1122	LOCK PLATE	8-C600-GV-FL-GO-WCB
667	G1110	LOCK PLATE	10-C300-GV-BW-HW-WCB
668	G1111	LOCK PLATE	12-C150/300-GV-FL-GO-WCB
669	G1112	LOCK PLATE	12-C300-GV-BW-GO-WCB
670	G1113	LOCK PLATE	14-C150-GV-FL-GO-WCB
671	G2616	LOCK PLATE	16-C300-GV-BW-GO-WCB
672	G1135	PIN-N812	12-C300-GV-BW-GO-WCB
673	G1948	PIN-F768	12-C600-GV-BW-GO-WCB
674	G1136	PIN	14-C150-GV-BW-GO-WCB
675	G1137	PIN-N594	16-C300-GV-BW-GO-WCB

Valves - List of Components

Annexure - I

S.No	Gr. No	Job/Component Description	Description of Valve/ Product (Used in)
676	G1138	PIN-K325	16-C300-GV-BW-GO-WCB
677	G2164	PIN-N398	22-C300-GV-BW-GO-WCB
678	G1205	RIB-K164	8-C150-GV-BW-HW-WCB
679	G1203	RIB-K011	10-C150-GV-BW-HW-WCB
680	G1204	RIB-K163	12-C150-GV-BW-HW-WCB
681	G1206	RING OF INDEX-K333	2-C300-RV-FL-HW-WCB
682	G1207	RING OF INDEX-K334	3-C300-RV-FL-HW-WCB
683	G1208	RING OF INDEX-K335	6-C300-RV-FL-HW-WCB
684	G1209	RING OF INDEX	8-C300-RV-BW-HW-WCB
685	G1211	SCALE OF INDEX-K333	2-C300-RV-FL-HW-WCB
686	G1212	SCALE OF INDEX	3-C300-RV-FL-HW-WCB
687	G1213	SCALE OF INDEX-2886	4-C300-RV-FL-HW-WCB
688	G1214	SCALE OF INDEX	6-C300-SV-BW-HW-WCB
689	G1215	SCALE OF INDEX-2925	8-C300-RV-BW-HW-WCB
690	G1482	STRIKER PLATE-N209	3-C300-GV-FL-HW-WCB
691	G1483	STRIKER PLATE C-K268	4-C300-GV-BW-HW-WCB
692	G1484	STRIKER PLATE-K011	8-C150-GV-BW-HW-WCB
693	G1481	STRIKER PLATE-K020	10-C300-GV-BW-HW-WCB
694	G1493	SWITCH BRACKET-K325	12-C300-GV-BW-GO-WCB
695	G1127	MOUNTING PLATE-N204	6-C150-GV-FL-HW-WCB
696	G1128	MOUNTING PLATE-N205	8-C150-GV-FL-HW-WCB
697	G2120	NUT-P408	3-C300-RV-BW-HW-CF8M
698	G2119	BUSH (STEM)-P408	4-C300-RV-BW-HW-CF8M
699	G2403	BOLT-5192	24-C150-FV-FL-WCB
700	G2404	RIGHT/LEFT SIDE LUG	24-C150-FV-FL-WCB
701	G2403a	BOLT-Z094	24-C150-FV-FL-CF8M
702	G2404a	RIGHT/LEFT SIDE LUG	24-C150-FV-FL-CF8M
703	G787	TUBE OF BYPASS	6-C150-GV-BP
704	G789	TUBE OF BYPASS	6-C600-GV-BP
705	G791	TUBE OF BYPASS	8-C600-GV-BP
706	G777	TUBE OF BYPASS	10-C150-GV-BP
707	G778	TUBE OF BYPASS	10-C300-GV-BP
708	G1991	TUBE OF BYPASS-F546	10-C600-GV-FL-MO-WCB-BP
709	G779	TUBE OF BYPASS	12-C150-GV-BP
710	G780	TUBE OF BYPASS	12-C300-GV-BP
711	G781	TUBE OF BYPASS	14-C150-GV-BP
712	G782	TUBE OF BYPASS	14-C300-GV-BP
713	G783	TUBE OF BYPASS	16-C150-GV-BP
714	G784	TUBE OF BYPASS	16-C300-GV-BP
715	G785	TUBE OF BYPASS	18-C150-GV-BP
716	G2021	TUBE OF BYPASS-N933	20-C150-GV-FL-GO-WCB-BP
717	G2047	TUBE OF BYPASS-C285	20-C300-GV-BW-GO-WCB-BP

Valves - List of Components

Annexure - I

S.No	Gr. No	Job/Component Description	Description of Valve/ Product (Used in)
718	G2564	BYPASS TUBE-NH97	26-C300-GV-BW-MO-WCB-BP
719	G1518	TUBE	2-C150-GV-BW-HW-WCB
720	G1519	TUBE	2-C300-GV-BW-HW-WCB
721	G1522	TUBE	3-C600-GV-BW-HW-WCB
722	G1527	TUBE	6-C150-GV-BW-MO-WCB
723	G1530	TUBE	6-C600-GV
724	G1532	TUBE	8-C300-GV
725	G1954	TUBE-1782	12-C600-GV-FL-MO-WCB-BP
726	G1766	Tube	16-C150-GV-FL-MO-WCB
727	G839	COVER TUBE-N629	16-C150-GV-BW-GO-WCB
728	G793	CAP TUBE-N616	16-C300-GV-FL-MO-WC9
729	G1517	TUBE	16-C300-GV-BW-MO-WCB
730	G841	COVER TUBE-N727	18-C150-GV-BW-GO-WCB
731	G2025	CAP TUBE-N231	20-C150-GV-BW-GO-WCB-BP
732	G2026	CAP TUBE-N579	20-C150-GV-BW-MO-WCB-SG
733	G2027	COVER TUBE-N668	20-C150-GV-BW-GO-WCB-BP-SG
734	G2040	TUBE-1780	20-C150-GV-BW-MO-WCB-SG
735	G2162	COVER TUBE-NG12	22-C300-GV-BW-GO-WCB
736	G746	BALL-E086	12-C150-GV-FL-HW-WCB
737	G746a	BALL-E512	Extension Spindle
738	G2467	Bottom Flange	12-C150-GV-WCB
739	G1763	Bottom Flange	16-C150-GV-FL-MO-WCB
740	G773	BUSH-E480	10-C300-GV-FL-HW-WCB
741	G773a	BUSH-E512	Extension Spindle
742	G936	FLANGE-E046	4-C150-GV-FL-HW-WCB
743	G1870	CONN TUBE-E487	6-C150-GV-FL-HW-WCB
744	G831a	CONNECTING PIN-E512	Extension Spindle
745	G831b	CONNECTING PIN-E513	Extension Spindle
746	G910	END COVER-E061	12-C150-GV-FL-HW-WCB
747	G1538	Felt Ring Washer -W057	16-C150-GV-FL-MO-WCB
748	G2603c	GUIDE BRACKET-E524	12-C150-GV-FL-HO-WCB

Valves - List of Components

Annexure - I

S.No	Gr. No	Job/Component Description	Description of Valve/ Product (Used in)
749	G2603b	GUIDE BRACKET-E518	12-C150-GV-FL (Extension Spindle)
750	G2603a	GUIDE BRACKET-E513	14-C150-GV-FL (Extension Spindle)
751	G2114	HUB-E489	4-C300-RV-BW-MO-WCB
752	G1035	HUB-E465	12-C150-GV-FL-HW-WCB
753	G2113	HW FLANGE-E489	4-C300-RV-BW-MO-WCB
754	G1048	INDICATOR-E125	12-C150-GV-FL-HW-WCB
755	G1066	JOINT END-E081	12-C150-GV-FL-HW-WCB
756	G1067	JOINT END-E091	12-C150-GV-FL-HW-WCB
757	G1066a	JOINT END-E512	Extension Spindle
758	G1067a	JOINT END-E512	Extension Spindle
759	G2604c	LOCK PLATE-E524/ LOCK PLATE-E525	10/12-C150-GV-FL-HO-WCB
760	G2604b	LOCK PLATE-E518	12-C150-GV-FL (Extension Spindle)
761	G2604a	LOCK PLATE-E513	14-C150-GV-FL (Extension Spindle)
762	G1133	PIN-E106	12-C150-GV-FL-HW-WCB
763	G1132	PIN-E067	12-C150-GV-FL-HW-WCB
764	G1132a	PIN-E516	12-C150-GV-FL (Extension Spindle)
765	G1868b	PIN-E518	12-C150-GV-FL (Extension Spindle)
766	G1134a	PIN-E513	14-C150-GV-FL (Extension Spindle)
767	G1133a	PIN-E513	Extension Spindle
768	G1868a	PIN-E512	Extension Spindle
769	G1765	Rib	16-C150-GV-FL-MO-WCB
770	G532a	SLEEVE-E513	14-C150-GV-FL (Extension Spindle)

Valves - List of Components

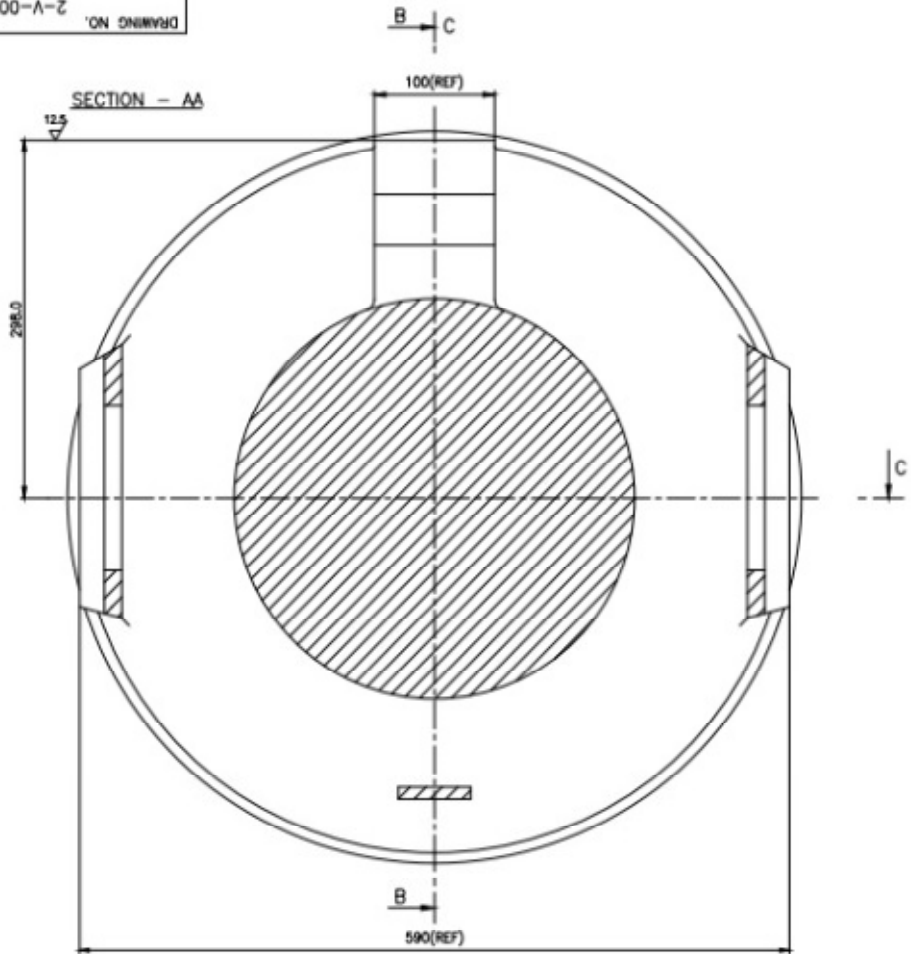
Annexure - I

S.No	Gr. No	Job/Component Description	Description of Valve/ Product (Used in)
771	G1867a	SLEEVE-E512	Extension Spindle
772	G1372a	SPIN EXTN PIN-E513	14-C150-GV-FL (Extension Spindle)
773	G1371	SPIN EXTN FLANGE-E324	16-C300-GV-BW-GO-WCB
774	G1373	SPIN EXTN TUBE-E324	16-C300-GV-BW-GO-WCB
775	G1380	SPINDLE TOP-E465	12-C150-GV-FL-HW-WCB
776	G1385	SPINDLE-E209	12-C150-GV-FL-HW-WCB
777	G1762	Stiffner	16-C150-GV-FL-MO-WCB
778	G1486	SUNK KEY-W057	16-C150-GV-FL-MO-WCB
779	G1495	THRUST BASE-E478	16-C150-GV-FL-MO-WCB
780	G2126	TOP FLANGE	10-C300-GV-BW-HW-WCB
781	G1509	TOP FLANGE-E465	12-C150-GV-FL-HW-WCB
782	G2299	Top Flange	16-C150-GV-WCB
783	G1539	WEB-E465	10-C300-GV-BW-HW-WCB
784	G1189	RETAINER-F502	3-C600-GV-WCB
785	G1190	RETAINER-S833	4-C300-GV-WCB
786	G1191	RETAINER-S836	6-C300-GV-WCB
787	G1030	H W RETAINER-1530	8-C600-GV-RTJ-HW-WC6
788	G1183	RETAINER-N207	10-C150-GV-WCB
789	G1186	RETAINER-K585	16-C150-GV-WCB
790	G1104	LOCK HOOK-N201	2-C150-GV-FL-HW-CF8
791	G1105	LOCK HOOK-N204	2-C600-GV-FL-HW-WCB
792	G1106	LOCK HOOK-N213	6-C600-GV-BW-HW-WCB
793	G1107	LOCK HOOK-N205	8-C150-GV-BW-HW-WCB
794	G1108	LOCK HOOK-N954	8-C600-GV-FL-GO-WCB
795	G1099	LOCK HOOK-N206	10-C150-GV-BW-HW-WCB
796	G1100	LOCK HOOK-NC51	12-C150-GV-FL-GO-WCB

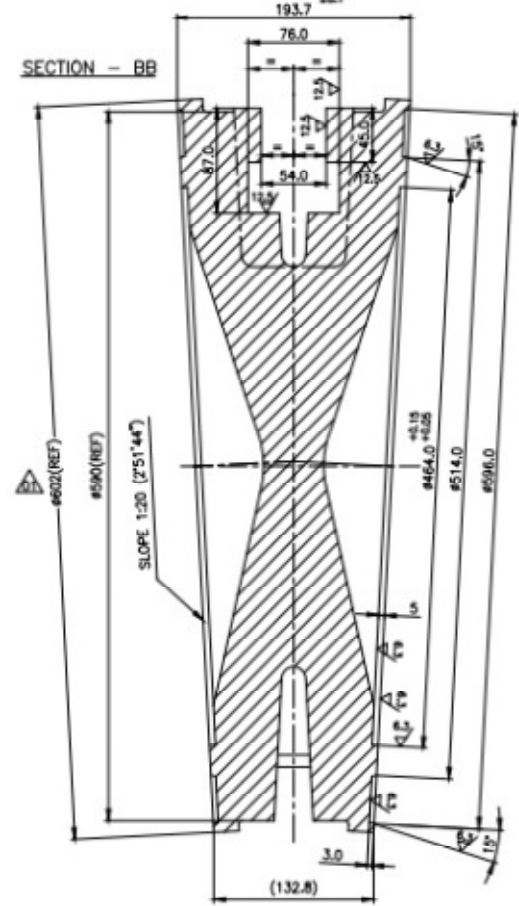
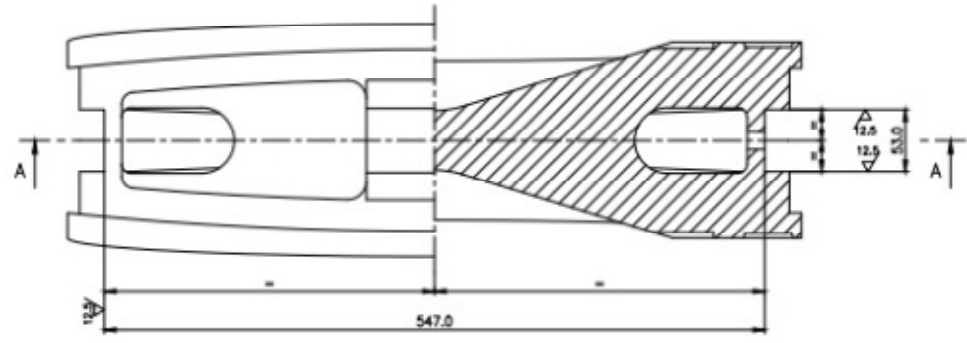
Valves - List of Components

Annexure - I

S.No	Gr. No	Job/Component Description	Description of Valve/ Product (Used in)
797	G1101	LOCKING ARRGT.HOOK	12-C300-GV-BW-GO-WCB
798	G2435	LOCK HOOK-W789	20-C300-GV-BW-GO-WCB
799	G1839	SW FLANGE 2/300-A941	2-C300-SV-FL-HW-WCB
800	G1840	SW FLANGE 3/150-A942	3-C150-GV-FL-HW-WCB
801	G1841	SW FLANGE 3/300-A943	3-C300-RV-FL-MO-WCB
802	G1859	INT. FLANGE-F508	8-C600-GV-RTJ-HW-WC6
803	G1853	INT.FLANGE-E423	16-C150-GV-FL-MO-WCB
804	G2585	INTERMEDIATE FL.-W200	22-C300-GV-BW-MO-WCB
805	G2071	INTERMEDIATE FLG-B651	24-C150-GV-BW-MO-WCB
806	G2123	NUT	4" 150 FV WCB
807	G1811a	NUT-5172 / NUT-5182	4-C300-FV-BW-WCB/WC9
808	G1822a	NUT-Z001	8-C150-FV-FL-CF8
809	G2003	NUT-Z021	16-300SPL-WCB-BW-FV
810	G2519	Nut	24-C150-FV-FL-CF8M



SECTION - CC



NOTE:
01. BREAK ALL SHARP CORNERS.

02	CASTING	92 201 747	ASTM A217 WCB - CERTIFY	NORMALISED & TEMPERED	20	204	214	3-V-NEM-14236/01	007
01	CASTING	92 201 746	ASTM A216 WCB - CERTIFY	NORMALISED	10	204	214	3-V-NEM-14236/01	007
SL NO.	DESCRIPTION	MATL CODE	MATL SPECN	HEAT TREATMENT	SCRAP SORT	NET WT (kg)	GROSS WT (kg)	DRAWING NO. IMPORNT USE	ITER NO.

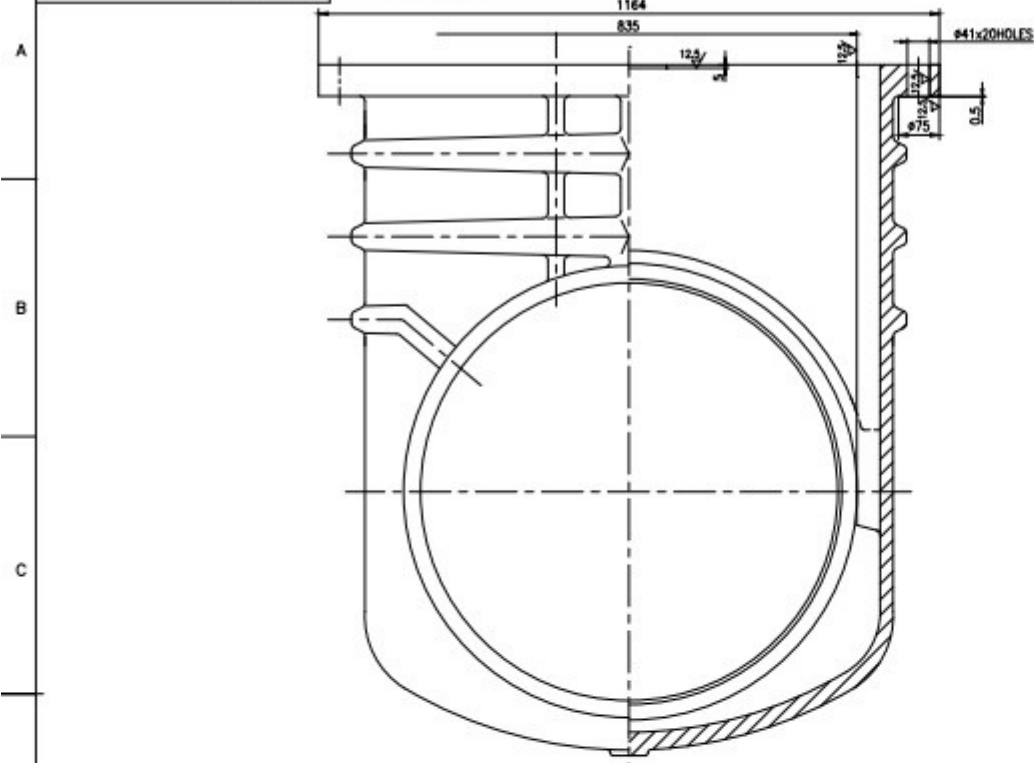
TYPE OF PRODUCT OR NAME OF CUSTOMER/PROJECT										
BHARAT HEAVY ELECTRICALS LTD. UNIT: HIGH PRESSURE BOILER PLANT. TRICHYRAPPALLY - 620014.				DRN	NAME	SIGN	DATE	NO. OF VAR.		
				CHD	P. BOOMATHAN		24.03.08			
				APPD	M. RAJAKUMAR		24.03.08			
DEPT: 360-120				SCALE		WEIGHT (KG)		REFERENCE INFORMATION		
CODE: 320				NTS		REF TABLE		DAD :C214236		
TITLE WEDGE ROUGH (22-C300)							CAD CODE	DRAWING NO.		REV
							U 01	2-V-0000-14236		01

REV	DATE	ALTERED : R.P.SINGH
01	10.11.17	CHD & APPD : SSK & KRS
ZONE	DIMENSIONS #602 WAS #610	

CAUTION: The information on this drawing is the property of BHARAT HEAVY ELECTRICALS LTD. It must not be used directly or indirectly in any way detrimental to the interest of the company.

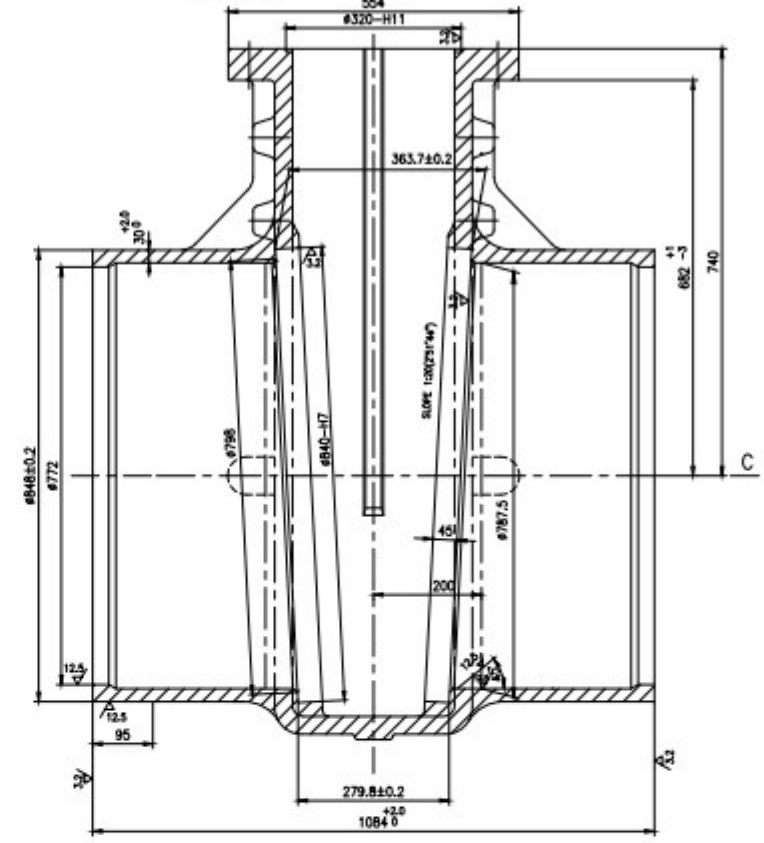
2-V-0000-08327
DRAWING ON 3MM GRID

SECTION AA



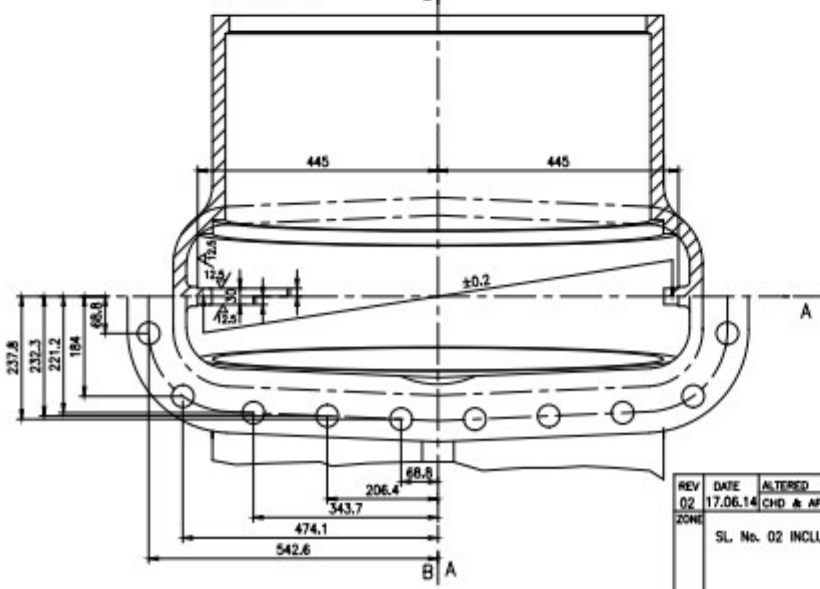
ALL DIMENSIONS ARE IN MILLIMETRES. FOR TOLERANCES OF UNTOLERANCED DIMENSIONS DURING MANUFACTURE REFER RELEVANT QCP / QP

SECTION BB



#320-H11	+0.360
	0
#840-H7	+0.090
	0

SECTION CC



NOTE:

* 01 . QUALITY PROCEDURE AS APPLICABLE FOR SPECIAL CLASS VALVE

REV	DATE	ALTERED	BY	CHK	APPD	MS	SSK	NO.	DATE	NO. OF
02	-	92203214	SA217 WCB ATTEST	NT	20	1353	1505	2.V.NH84.08327/1	932032920000	001
01	-	92201219	SA216 WCB ATTEST	NR	10	1353	1505	2.V.NH29.08327/1	931101420000	001

REV	DATE	ALTERED	BY	CHK	APPD	MRK
03	20.08.14	ALMARMUTHU	SHD	APPD	MS	SSK
02	17.06.14	N.RAMESH	CHD	APPD	SSK	KRS
01	07.09.01	R.L.	CHD	APPD	MRK	

CAUTION: The information on this document is the property of BHARAT HEAVY ELECTRICALS LTD. It must not be used directly or indirectly in any way without the consent of the company.

TYPE OF PRODUCT OR NAME OF CUSTOMER/PROJECT

BHARAT HEAVY ELECTRICALS LTD.
UNIT: HIGH PRESSURE BOILER PLANT.
TRUCHIRAPPALLI-625014.

DRN. V.BHARAVAN
CHD. R.L.NARAYANAN
APPD. M.RAJAKUMAR

SCALE: N T S
WEIGHT (KG): -
REFERENCE INFORMATION: CAD REF. NO: C208327

TITLE: **BODY**
CARD CODE: U 01
DRAWING NO.: **2-V-0000-08327**

NO. OF VARI: 18.01.01, 19.01.01, 19.01.01

REV: 03

NOTE- 01 INCLUDED

SL. No. 02 INCLUDED

DIM. 810 INCLUDED
DCN NO. HM 0494