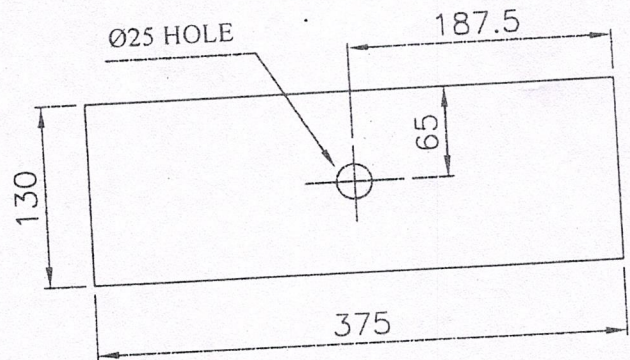


FIRST ANGLE PROJECTION (ALL DIMENSIONS ARE IN mm)

REV	DATE	ALTERED	REV	DATE	ALTERED	REV	DATE	ALTERED
1.0		CHECKED			CHECKED			CHECKED

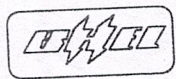
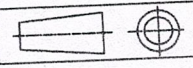


MATERIAL: NATURAL WOOD

TECHNICAL REQUIREMENTS

1. THE WOODEN BLOCK IS REQUIRED FOR RAKING OF SLAG IN ELECIC ARC FURNACE. TEMPERATURE WOULD BE AROUND 1650°C
2. THE WOODEN BLOCK SHOULD BE FREE FROM CRACKS, ROTTEN ETC.
3. WHILE FIXING THE PIPE IN THE HOLE, THE BLOCK SHOULD NOT CRACK.
4. IT SHOULD BE OF ONE SINGLE PIECE, NOT JOINTED

TOLERENCE: ±% OR 2 MM WHICHEVER IS GREATER

		<p align="center">BHARAT HEAVY ELECTRICALS. LTD. CENTRAL FOUNDRY FORGE PLANT RANIPUR HARDWAR</p>						
DEPTT.	SMS		SCALE	N.T.S.	WEIGHT IN Kgs	NAME	SIGN	DATE
TITLE		WOODEN BLOCK				DRN		
						WKD	Anit Sharma	18/01/20
						CHD	Sunil Kumar	18/01/20
						APPD	B.K. Bedi	18/01/20
PROJECT AND CUSTOMER NAME			TECHNOLOGY NO		DRAWING NO.-			
					02,230			
					REV.			1.0