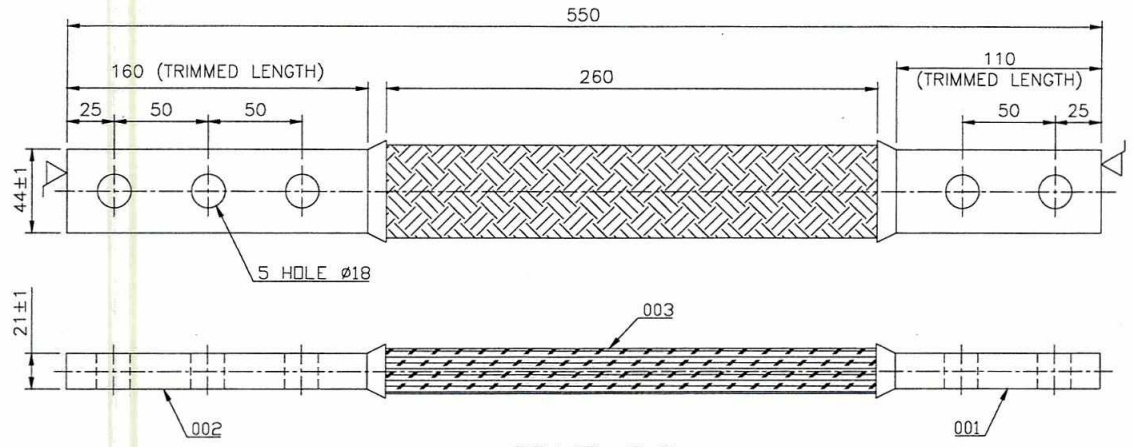


ALL DIMENSIONS IN MM.

COPYRIGHT & CONFIDENTIAL: THE INFORMATION ON THIS DOCUMENT IS THE PROPERTY OF BHARAT HEAVY ELECTRICALS LIMITED. IT MUST NOT BE USED DIRECTLY OR INDIRECTLY IN ANY DETERIMENTAL TO THE INTEREST OF THE COMPANY.

1			2			3		
REV.	DATE	ALTERD	REV.	DATE	ALTERD	REV.	DATE	ALTERD
		CHECKED	02	21.09.13	CHECKED	01	15.02.13	CHECKED
			WEIGHT, S.P. AREA AND ITEM DESCRIPTION ARE REVISED.			HOLE ADDED FOR SECOND END OF FLEXIBLE.		



**VAR.00**

**NOTES:-**


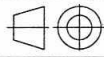
1. EACH ELECTRO TINNED COPPER FLEXIBLE BRAID IS OF 38 SWG WIRE HAVING CROSS SECTION 105 SQMM.
2. ENDS ARE TO BE SWAGED AND SURFACES TO BE FLAT AND FREE FROM BELMISHES.
3. IF REQUIRED ENDS MAY BE PRESSED AGAIN TO MAINTAIN FLATNESS.
4. EACH FLEXIBLE ARE TO BE WRAPPED WITH POLYTHENE SHEET.
5. TRIMMED LENGTH TO BE SILVER PLATED.
6. FOR SILVER PLATING REF. DRG. NO. 45410000005 REV.06.
7. FOR BELL MOUTH AND BOTH SIDE GRINDING, MANUFACTURER TAKE EXTRA LENGTH OF TUBE AND BRAID AS SUITABLE.

**ITEM-001 & 002**

SILVER PLATING AREA:-VAR.00=403.41 SQCM.

WEIGHT:-VAR.00=3.75±5% KG.

007		003	E.T. COPPER FLEXIBLE BRAID 3.2TKx48x550 LG.	-	-	AA12010	0.513	
001		002	COPPER TUBE 35 OD x 32 ID x 170 LG.	-	-	AA12014	0.239	
001		001	COPPER TUBE 35 OD x 32 ID x 120 LG.	-	-	AA12014	0.168	
VAR 00	REMARKS	ITEM NO.	DESCRIPTION	DRAWING NO.	IT.NO. VAR.	MATL.CODE MATL.SPCN.	WT. QTY.	U U

CUSTOMER			PROJECT/PRODUCT					
 <b>भारत हेवी इलेक्ट्रिकल्स लिमिटेड - रुद्रपुर</b> BHARAT HEAVY ELECTRICALS LIMITED RUDRAPUR			DRN.	एस. के. गुप्ता	SIGN.	DATE	NO. OF VAR.	
			CKD.	एस. के. गुप्ता				
			APPD.	आर. के. लाल				
DEPTT. BDE	UNTOL.DIM.GR. C/M/F		SCALE	WEIGHT-KG	REF.TO ASSY.DRG.	IT.NO.	NO.OF ITEM	
TITLE				DRAWING NO.			REV.	
COPPER BRAIDED FLEXIBLE FOR IPBD				41001200024			02	
SHEET NO.- 01		NO.OF SHEETS- 01		SIZE-A4				