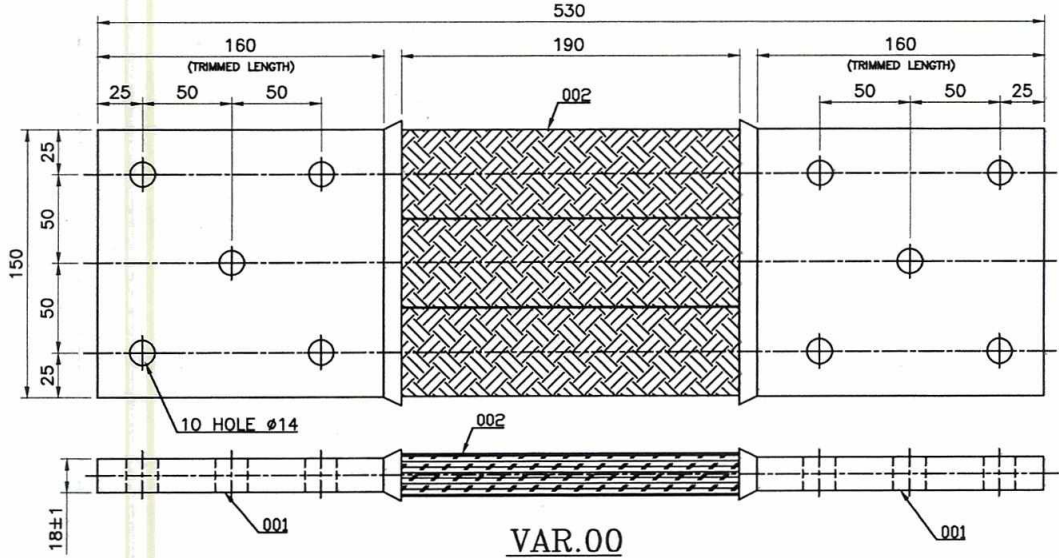


ALL DIMENSIONS IN MM.

COPYRIGHT & CONFIDENTIAL: THE INFORMATION ON THIS DOCUMENT IS THE PROPERTY OF BHARAT HEAVY ELECTRICALS LIMITED. IT MUST NOT BE USED DIRECTLY OR INDIRECTLY IN ANY DETRIMENTAL TO THE INTEREST OF THE COMPANY.

1		2		3	
REV.	DATE	ALTERD	रूपेश कुमार	REV.	DATE
01	23/10/17	CHECKED	अरविन्द नारायण		
				ALTERD	CHECKED
				REV.	DATE
				ALTERD	CHECKED

DRAWING REVISED AS WEIGHT OF FLEXIBLE CORRECTED.



VAR.00

NOTES:-

1. EACH ELECTRO TINNED COPPER FLEXIBLE BRAID IS OF 38 SWG WIRE HAVING CROSS SECTION 120 SQMM.
2. ENDS ARE TO BE SWAGED AND SURFACES TO BE FLAT AND FREE FROM BELMISHES.
3. IF REQUIRED ENDS MAY BE PRESSED AGAIN TO MAINTAIN FLATNESS.
4. EACH FLEXIBLE ARE TO BE WRAPPED WITH POLYTHENE SHEET.
5. TRIMMED LENGTH TO BE SILVER PLATED.
6. FOR SILVER PLATING REF. DRG. NO. 45410000005 REV.06.
7. FOR BELL MOUTH AND BOTH SIDE GRINDING, MANUFACTURER TAKE EXTRA LENGTH OF TUBE AND BRAID AS SUITABLE.


TOTAL CROSS SECTION AREA OF FLEXIBLE:-VAR.00=2520 SQMM.

SILVER PLATING AREA:-VAR.00=1177.6 SQCM.

WEIGHT:-VAR.00=12.76±5% KG.

ITEM-001

021		002	E.T. COPPER FLEXIBLE BRAID 3.2TKx50x530 LG.	-	-	0.565
002		001	COPPER TUBE 62 OD x 58 ID x 170 LG.	-	AA12010	0.570
VAR 00	REMARKS	ITEM NO.	DESCRIPTION	DRAWING NO.	IT.NO. MATL.CODE	WT.
					VAR. MATL.SPCN.	QTY.

CUSTOMER			PROJECT/PRODUCT				
GENERAL			GENERAL				
 भारत हेवी इलेक्ट्रिकल्स लिमिटेड - रुद्रपुर BHARAT HEAVY ELECTRICALS LIMITED RUDRAPUR			DRN.	NAME	SIGN.	DATE	NO. OF VAR.
			CKD.	संजय कुमार गुप्ता		12/04/17	
			APPD.	रूपेश कुमार		12/04/17	
				अरविन्द नारायण		12/04/17	
DEPTT.	UNTOL.DIM.GR.	SCALE	WEIGHT-KG	REF.TO ASSY.DRG.	IT.NO.	NO.OF ITEM	
BDE	C/M/F						
TITLE			DRAWING NO.			REV.	
COPPER BRAIDED FLEXIBLE			43001200124			01	
SHEET NO.- 01		NO.OF SHEETS- 01		SIZE- A4			