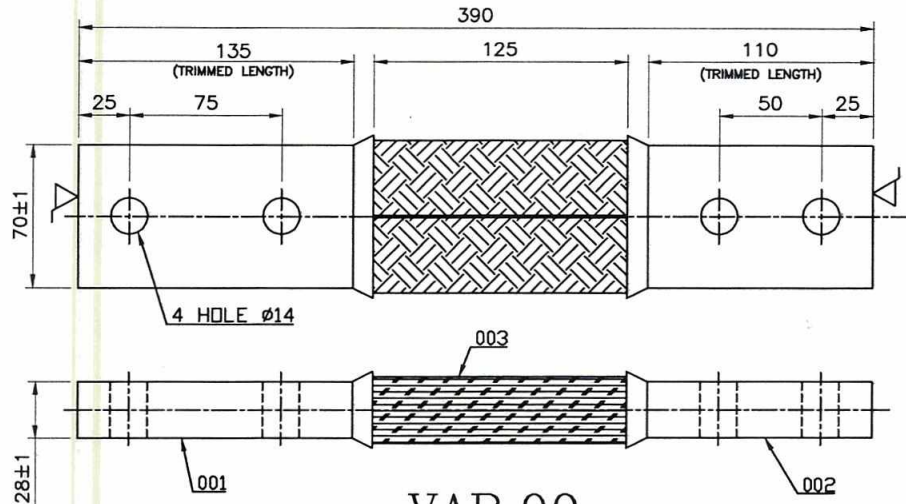


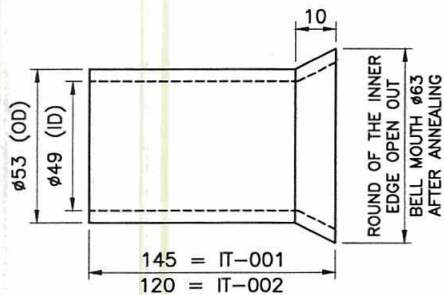
ALL DIMENSIONS IN MM.

COPYRIGHT & CONFIDENTIAL: THE INFORMATION ON THIS DOCUMENT IS THE PROPERTY OF BHARAT HEAVY ELECTRICALS LIMITED. IT MUST NOT BE USED DIRECTLY OR INDIRECTLY IN ANY DETERIMENTAL TO THE INTEREST OF THE COMPANY.

1		2		3	
REV.	DATE	REV.	DATE	REV.	DATE
ALTERD		ALTERD		ALTERD	
CHECKED		CHECKED		CHECKED	



VAR.00



ITEM-001,002


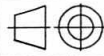
NOTES:-

1. EACH ELECTRO TINNED COPPER FLEXIBLE BRAID IS OF 38 SWG WIRE HAVING CROSS SECTION 105 SQMM.
2. ENDS ARE TO BE SWAGED AND SURFACES TO BE FLAT AND FREE FROM BELMISHES.
3. IF REQUIRED ENDS MAY BE PRESSED AGAIN TO MAINTAIN FLATNESS.
4. EACH FLEXIBLE ARE TO BE WRAPPED WITH POLYTHENE SHEET.
5. TRIMMED LENGTH TO BE ELECTRO TINNED.
6. FOR ELECTRO TINNING REF. DRG. NO. 45410000005 REV.06.
7. FOR BELL MOUTH AND BOTH SIDE GRINDING, MANUFACTURER TAKE EXTRA LENGTH OF TUBE AND BRAID AS SUITABLE.

ELECTRO TINNING AREA:-VAR.00=556.35 SQCM.

WEIGHT:-VAR.00=6.43±5% KG.

016		003	E.T. COPPER FLEXIBLE BRAID 3.2TKx48x390 LG.	-	-	AA12010	0.364	
001		002	COPPER TUBE 53 OD x 49 ID x 120 LG.	-	-	AA12016	0.342	
001		001	COPPER TUBE 53 OD x 49 ID x 145 LG.	-	-	AA12016	0.413	
VAR 00	REMARKS	ITEM NO.	DESCRIPTION	DRAWING NO.	IT.NO. VAR.	MATL.CODE MATL.SPCN.	WT. QTY.	U U

CUSTOMER				PROJECT/PRODUCT				
GENERAL				GENERAL				
 भारत हेवी इलेक्ट्रिकल्स लिमिटेड - रुद्रपुर BHARAT HEAVY ELECTRICALS LIMITED RUDRAPUR				DRN.	NAME	SIGN.	DATE	NO. OF VAR.
					संजय कुमार गुप्ता		12/10/17	
				CKD.	रूपेश कुमार		12/10/17	
				APPD.	अरविन्द नारायण		12/10/17	
DEPTT. BDE	UNTOL.DIM.GR. C/M/F		SCALE -	WEIGHT-KG -	REF.TO ASSY.DRG. -	IT.NO. -	NO.OF ITEM	
TITLE				DRAWING NO.			REV.	
COPPER BRAIDED FLEXIBLE FOR SPBD				43001200131			00	
				SHEET NO.-	01	NO.OF SHEETS-	01	SIZE- A4