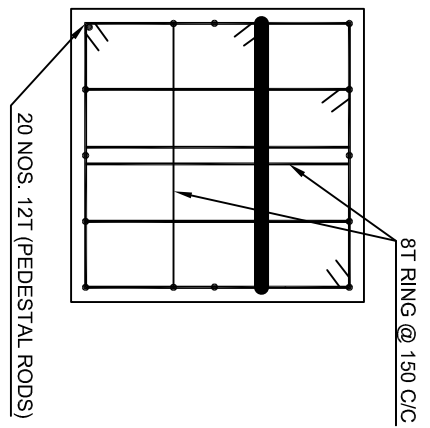


- NOTE :-
1. ALL DIMENSIONS ARE IN MM UNLESS OTHERWISE STATED
 2. GRADE OF CONCRETE SHALL BE M25
 3. REINFORCEMENT SHALL BE OF HIGH STRENGTH DEFORMED BARS (TMT) BARS OF GRADE Fe 415 CONFORMING IS: 1786
 4. MINIMUM CLEAR COVER FOR MAIN REINFORCEMENT SHALL BE 50MM
 5. MINIMUM CLEAR COVER FOR PEDESTAL REINFORCEMENT SHALL BE 50 MM
 6. USE STEEL CHAIRS TO KEEP TOP REINFORCEMENT IN POSITION.



DETAILS OF FOUNDATION BOLTS & ANCHOR PLATE

8T RING @ 150 C/C SCALE :- ENLARGED.

20 NOS. 12T (PEDESTAL RODS)

TOP PLAN

PROJECT:-		GE INDIA INDUSTRIAL PVT LTD.		BANGALORE	
TITLE:-		FOUNDATION DETAILS FOR 30 MTR. HIGH LIGHTING MAST WITH 16 NOS. LIGHTS FIXED ASYMM. (HAVING 10 ^{1/2} M ² SOIL BEARING CAPACITY)			
DESIGN	MB	07.09.13	THIS DRAWING IS THE PROPERTY OF BP INDIAN INDUSTRIAL PVT. LTD. AND IS NOT TO BE COPIED, REPRODUCED OR TRANSMITTED IN ANY FORM OR BY ANY MEANS WITHOUT WRITTEN CONSENT OF THE AUTHORITY.	DRG. NO. :-	Rev. No. 0
DRN	MB	07.09.13			
CHKD	MB	07.09.13			
APPD.	BPP	07.09.13	SCALE	N. T. S.	BP-FDN-30M. HIGH MAST
MARKED.	REVISIONS.	DATE.			