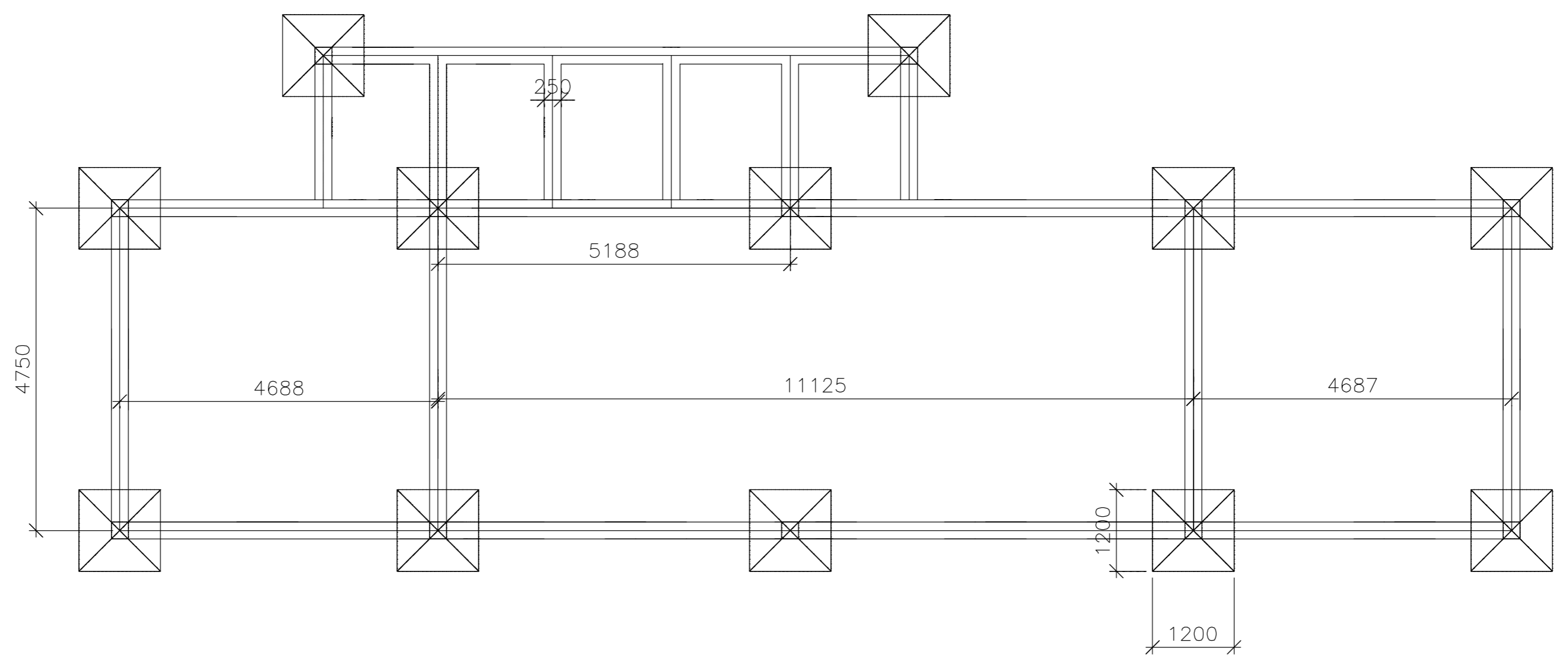
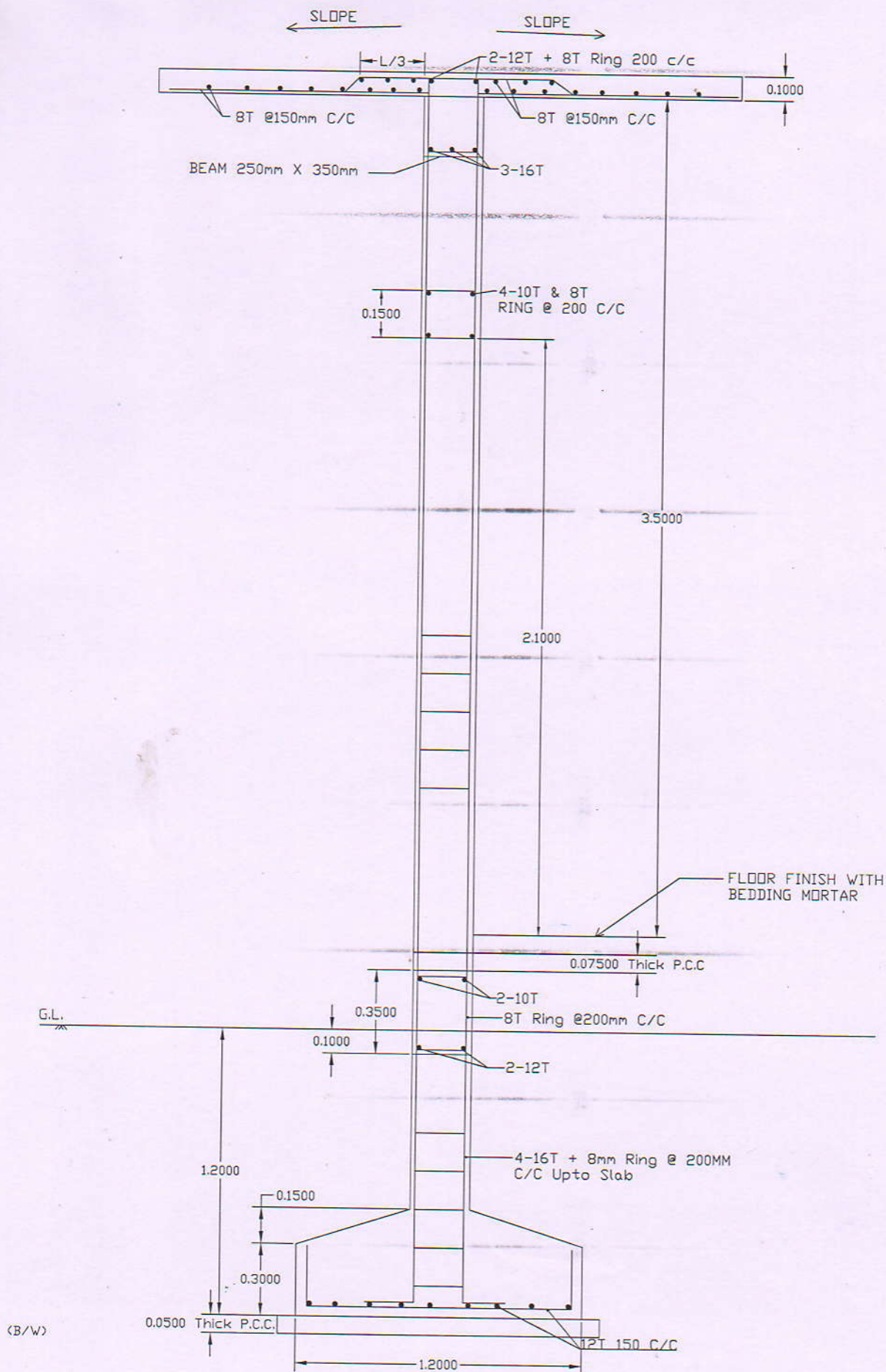


PLAN



PLINTH BEAM AND FOOTING DETAILS

# SAFETY PARK DETAILS



RC DETAIL OF RAFT, COLUMN, BEAM & SLAB